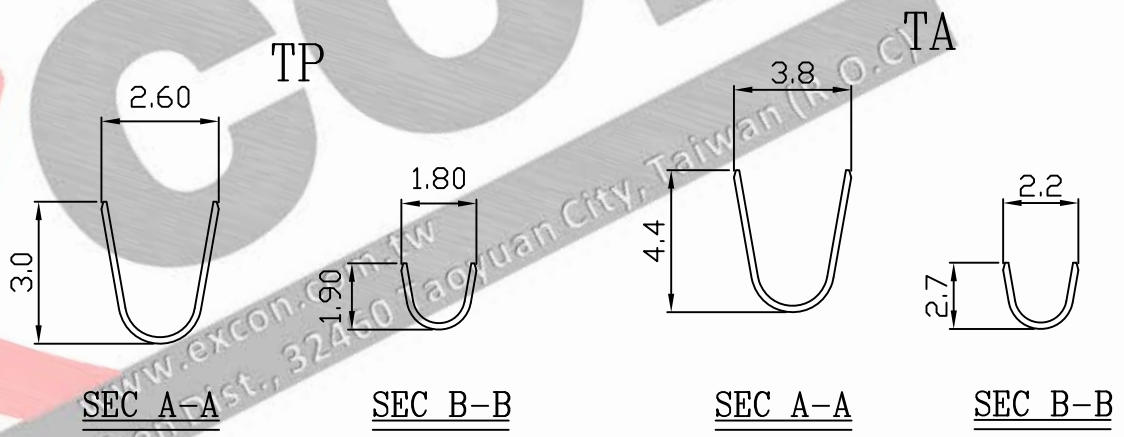
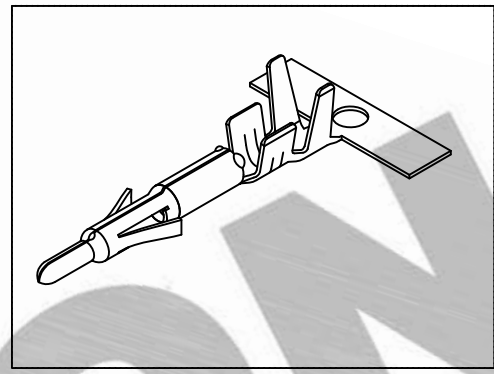
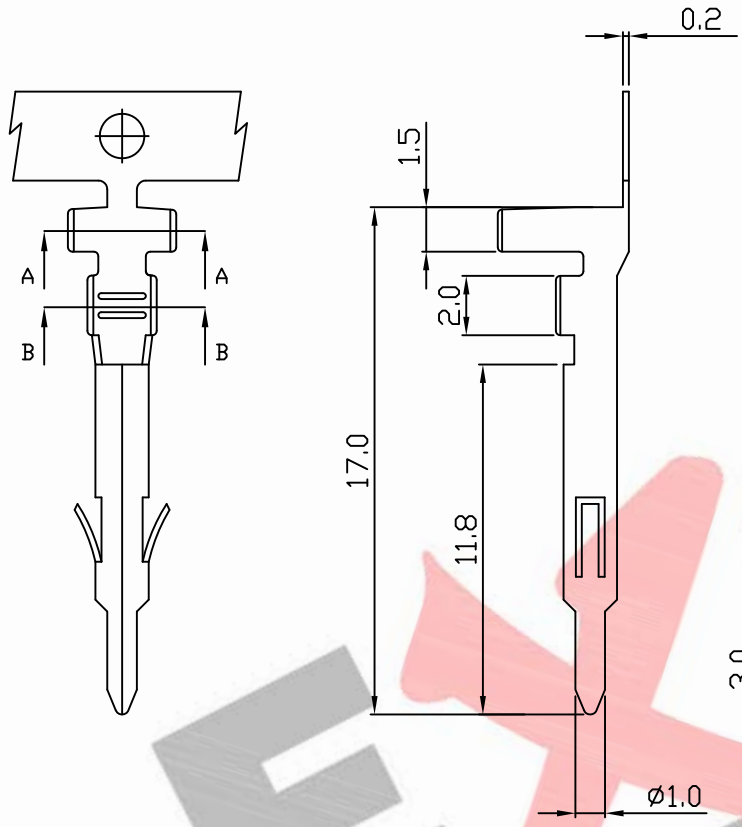


PART NO. 660800TAxxx
 DWG NO. C6608TA



- NOTE 1 :
1. Terminal Material: Brass / Phosphor bronze
 2. Plated: Ni 25u"min Tin-plated 50u"min.
 3. Applicable wires: #24~#18
 4. Q'ty / reel: 4,000 pcs

| Part No. | Wire Range | Insulation O.D. | Material | Finishing |
|-------------|------------|-----------------|----------|----------------|
| 660800TA051 | AWG#22~#18 | 1.7-3.0mm | Brass | Tin pre-plated |
| 660800TA351 | AWG#22~#18 | 1.7-3.0mm | Phosphor | |
| 660800TP051 | AWG#26~#22 | 1.2-1.7mm | Brass | |
| 660800TP351 | AWG#26~#22 | 1.2-1.7mm | Phosphor | |

| | | | | | | | |
|-------|-----------|-------|------------------------|---------------------------------------|------|-------------------------------------|-------------|
| | | | | UNLESS OTHERWISE SPECIFIED TOLERANCES | | EXCON TECHNOLOGY COMPANY | |
| | | | | 3 PLACE ±0.5 ±0.10 | | | |
| | | | | 2 PLACE ±1.5 ±0.35 | | | |
| | | | | 1 PLACE ±2.0 ±0.50 | | | |
| | | | | ANGLE DIM | | | |
| REV. | REVISIONI | | | DIS | DATE | | |
| SCALE | REV. | PAGE: | UNIT | mm | | DWG NO: | PART.NO |
| 4/1 | A | 1 | THIRD ANGLE PROJECTION | | | C6608TA | 660800TAxxx |