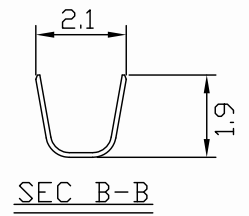
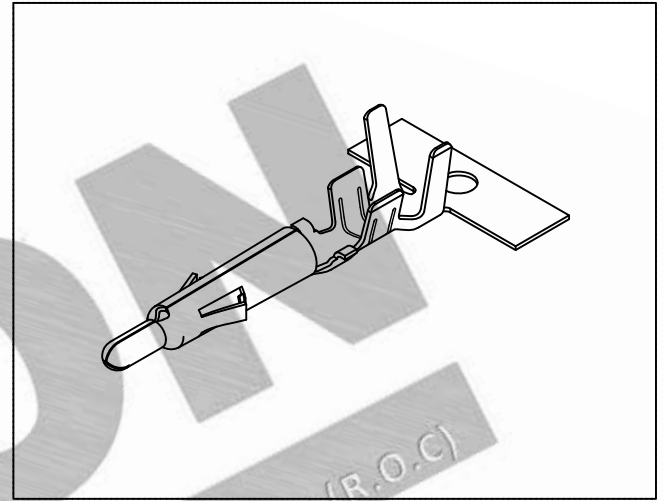
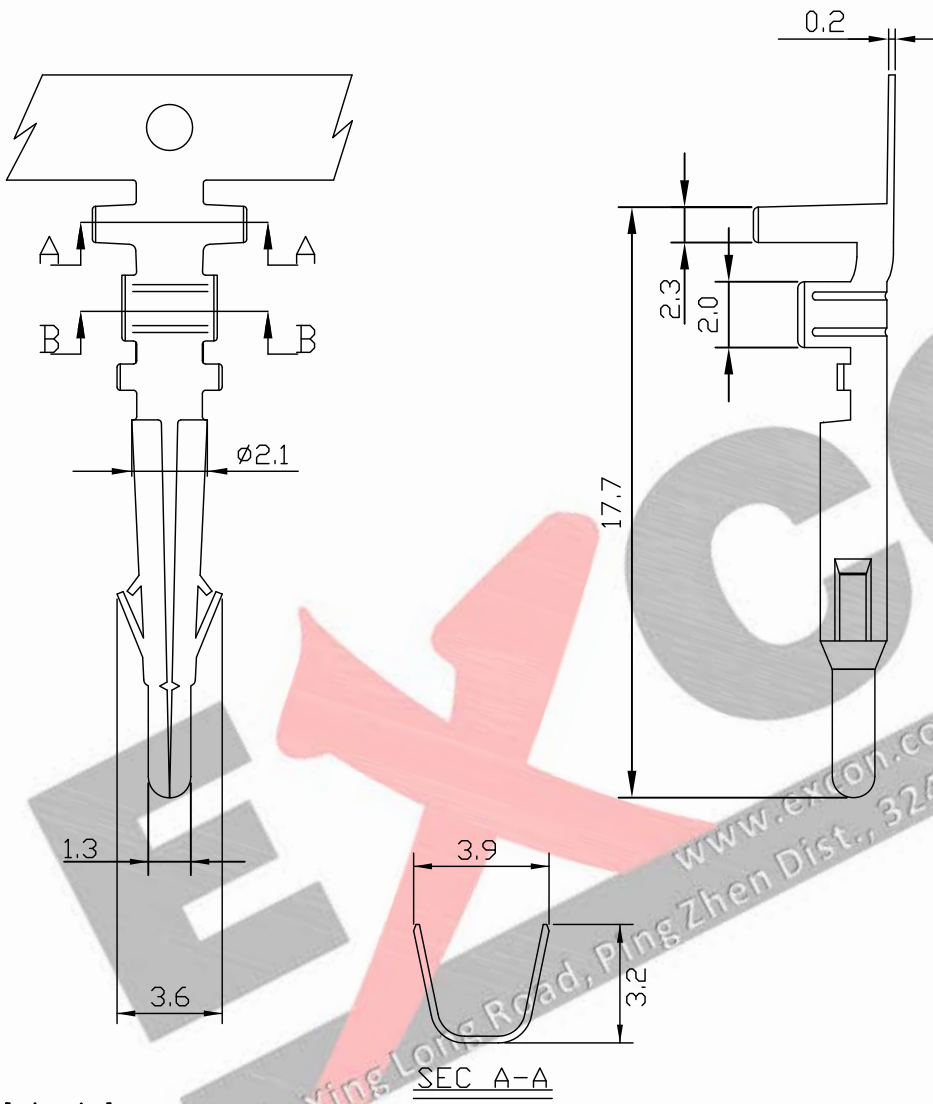


PART NO. 660300TPxxx
 DWG NO. C6603TP



NOTE:

1. Terminal Material:
Brass bronze or Phosphor
2. Plated: Tin pre-plated 50u"min.
3. Applicable wires: AWG#26-#20
4. Insulation O.D.: 2.7mm (max)
5. Q'ty / reel:7,000 pcs

Part No.	Wire Range	Insulation O.D.	Material
660300TP051	AWG#26~#20	1.3~2.7mm	Brass
660300TP351	AWG#26~#20	1.3~2.7mm	Phosphor

				UNLESS OTHERWISE SPECIFIED TOLERANCES		
				3 PLACE ±0.5 ±0.10		
				2 PLACE ±1.5 ±0.25		
				1 PLACE ±2.0 ±0.50		EXCON TECHNOLOGY COMPANY
				ANGLE DIM		
REV.	REVISIONI			DIS	DATE	
SCALE	REV.	PAGE:	UNIT	mm		DWG NO:
3/1	A	1	THIRD ANGLE PROJECTION			C6603TP
						PART.NO
						660300TPxxx