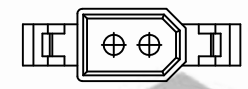
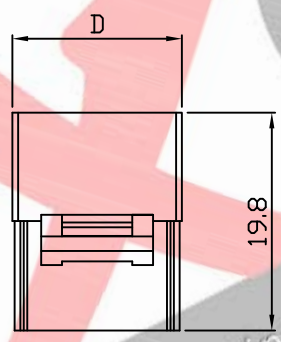
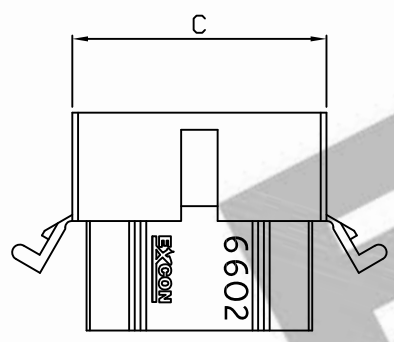
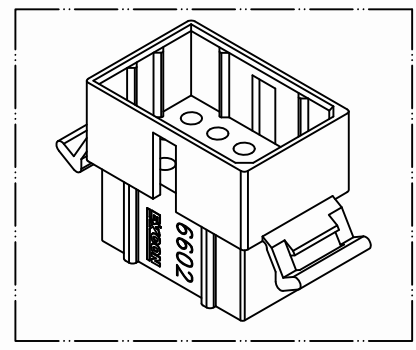
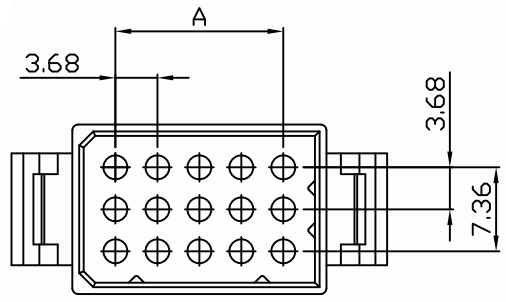
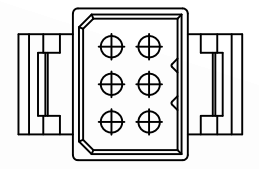


PART NO. 6602xxHS051  
 DWG NO. C6602HS



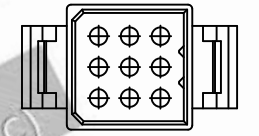
Part No.: 660202HP051



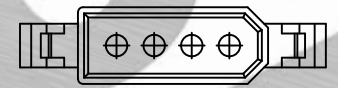
Part No.: 660206HP051



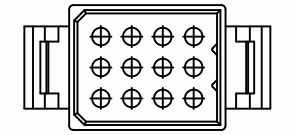
Part No.: 660203HP051



Part No.: 660209HP051



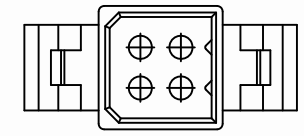
Part No.: 660204HP051



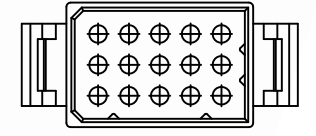
Part No.: 660212HP051



Part No.: 660205HP051



Part No.: 6602A4HP051



Part No.: 660215HP051

Dimensional & Ordering Information:

Part No.	Circuits	Dim A	Dim B	Dim C	Dim D
660201HS051	1	--	--	--	--
660202HS051	2	3.68	--	11.26	7.5
660203HS051	3	7.36	--	14.94	7.5
660204HS051	4	11.04	--	18.62	7.5
660205HS051	5	14.72	--	22.30	7.5
6602A4HS051	4	3.68	3.68	11.26	11.26
660206HS051	6	3.68	7.36	11.26	14.94
660209HS051	9	7.36	7.36	14.94	14.94
660212HS051	12	11.04	7.36	18.62	14.94
660215HS051	15	14.72	7.36	22.30	14.94

NOTE:

- Housing Material: Nylon 66 UL94V-2
- Color: Natural
- Insulation resistance: 1000MΩ min.
- Withstand voltage: 1500V AC/minute.
- Current rating: 5A AC/DC.
- Voltage rating: 6000V AC/DC

UNLESS OTHERWISE SPECIFIED TOLERANCES  
 3 PLACE ±0.5 ±0.10  
 2 PLACE ±1.5 ±0.25  
 1 PLACE ±2.0 ±0.50  
 ANGLE DIM

**EXCON**  
 EXCON TECHNOLOGY COMPANY

REV.	REVISION	DIS	DATE	DWG NO:	PART NO
SCALE	REV.	PAGE	UNIT	THIRD ANGLE PROJECTION	C6602HS
1/1	A	1/1			6602xxHS051