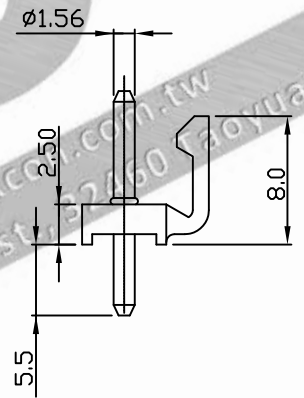
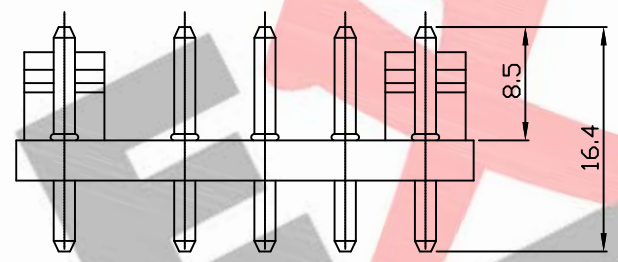
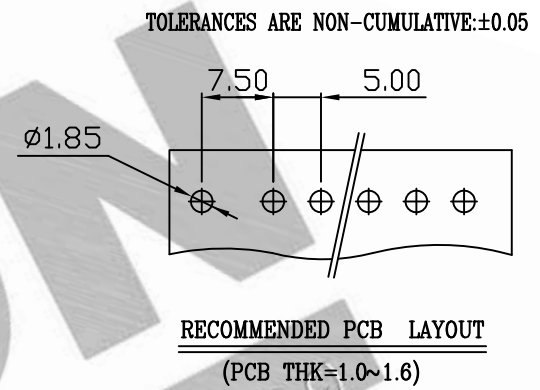
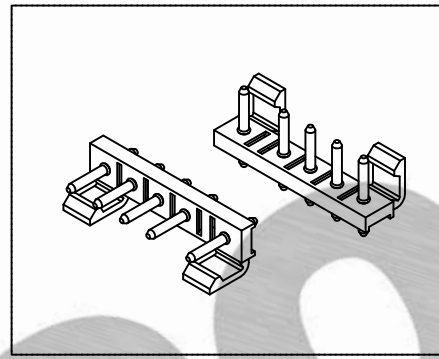
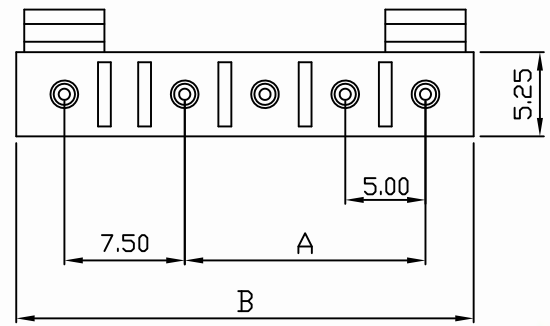


PART NO. 5090xxWT001
 DWG NO. C5090WT



Dimensional & Ordering Information:

Part No.	Circuits	Dim A	Dim B
509001WT001	1	--	6.00
509002WT001	2	--	13.50
509003WT001	3	5.00	18.50
509004WT001	4	10.00	23.50
509005WT001	5	15.00	28.50
509006WT001	6	20.00	33.50
509007WT001	7	25.00	38.50
509008WT001	8	30.00	43.50
509009WT001	9	35.00	48.50
509010WT001	10	40.00	53.50

NOTE:

1. Wafer Material: Nylon 66 UL94V-0
Pin/Pos Material: brass bronze.
2. Plated: Tin-plated 50u" min.
3. Insulation resistance: 1000M ohm/min.
4. Withstand voltage: 1500V AC/minute.
5. Current rating: 9A AC/DC.
6. Voltage rating: 250V AC/DC
7. Use with 5090TD series Terminal.

UNLESS OTHERWISE SPECIFIED TOLERANCES			
3 PLACE ±0.5 ±0.10			
2 PLACE ±1.5 ±0.25			
1 PLACE ±2.0 ±0.50			
ANGLE DIM			
REV.	REVISION		DIS DATE
SCALE	REV.	PAGE:	UNIT mm
1/1	B	1	THIRD ANGLE PROJECTION
DWG NO:			C5090WT

EXCON
 EXCON TECHNOLOGY COMPANY

PART.NO
 5090xxWT001