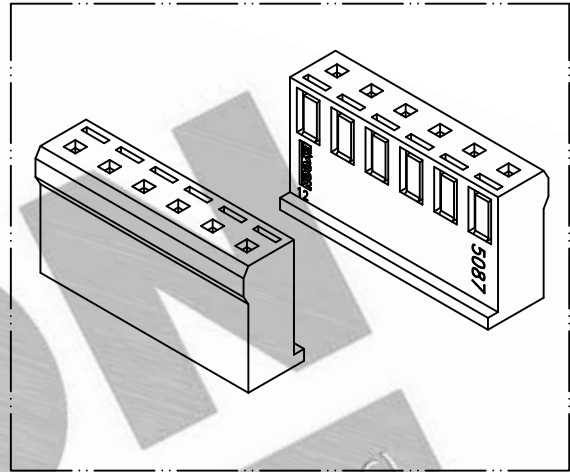
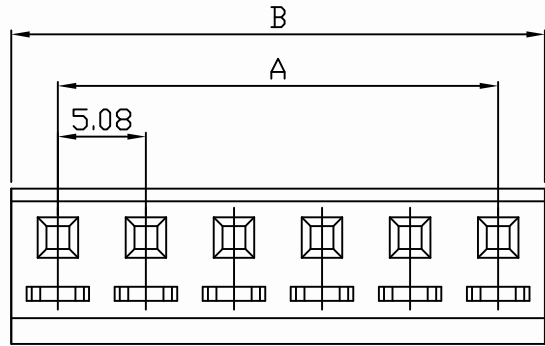
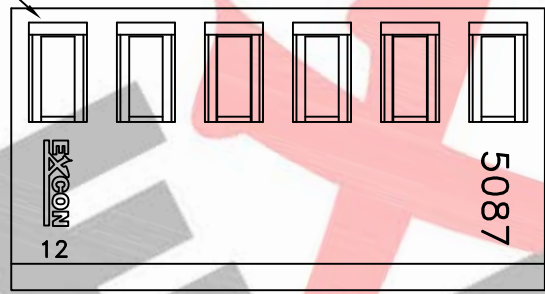


PART NO. 5087xxHA051
 DWG NO. C5087HA



Circuit 1st



Dimensional & Ordering Information:

Part No.	Circuits	Dim A	Dim B
508702HA051	2	5.08	10.16
508703HA051	3	10.16	15.24
508704HA051	4	15.24	20.32
508705HA051	5	20.32	25.40
508706HA051	6	25.40	30.48
508707HA051	7	30.48	35.56
508708HA051	8	35.56	40.64
508709HA051	9	40.64	45.72
508710HA051	10	45.72	50.80
508711HA051	11	50.80	55.88
508712HA051	12	55.88	60.96

- NOTE:
1. Housing Material: Nylon 66 UL94V2
 2. Insulation resistance: 1000MΩ min.
 3. Withstand voltage: 1000V AC/minute.
 4. Current rating: 5A AC/DC.
 5. Voltage rating: 250V AC/DC

				UNLESS OTHERWISE SPECIFIED TOLERANCES		EXCON EXCON TECHNOLOGY COMPANY
				3 PLACE ±0.5 ±0.10		
				2 PLACE ±1.5 ±0.25		PART.NO
				1 PLACE ±2.0 ±0.50		
				ANGLE DIM		5087xxHA051
REV.	REVISION		DIS	DATE		
SCALE	REV.	PAGE:	UNIT	mm	DWG NO:	
3/1	A	1/1	THIRD ANGLE PROJECTION		C5087HA	