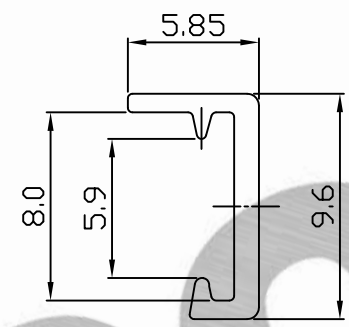
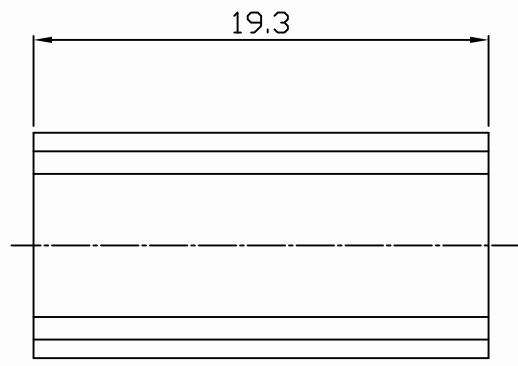
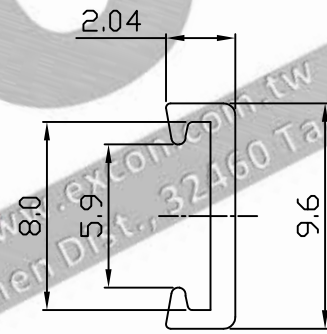
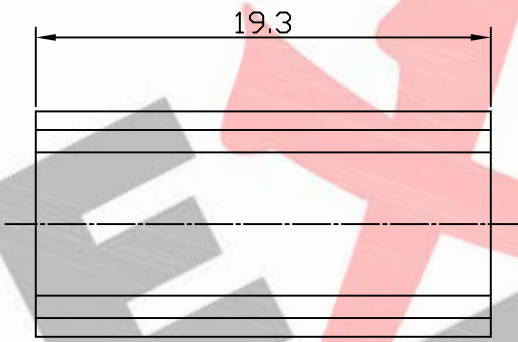


10 9 8 7 6 5 4 3 2 1

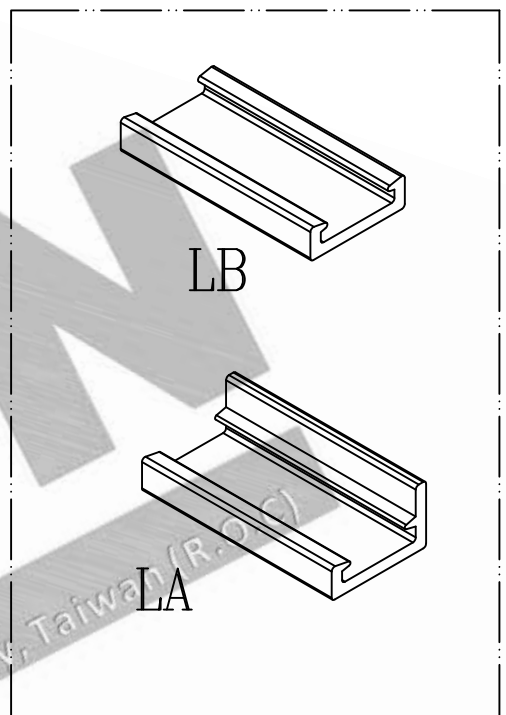
PART NO. 508300LA051
 DWG NO. C5083LA



(End type;Part No.:508300LA051)



(Through type;Part No.:508300LB051)



NOTE:

1. Wafer Material: Nylon 66 UL94V2
2. Insulation resistance: 1000M Ω min.
3. Withstand voltage: 1500V AC/minute.
4. Current rating: 5A AC/DC.
5. Voltage rating: 250V AC/DC

				UNLESS OTHERWISE SPECIFIED TOLERANCES		 EXCON TECHNOLOGY COMPANY
				3 PLACE ±0.5 ±0.10		
				2 PLACE ±1.5 ±0.25		
				1 PLACE ±2.0 ±0.50		
REV.	REVISIONI			DIS	DATE	ANGLE DIM
SCALE	REV.	PAGE:	UNIT	mm		DWG NO:
5/1	A	1	THIRD ANGLE PROJECTION			C5083LA
					PART.NO	
					508300LA051	

10 9 8 7 6 5 4 3 2 1

F
D
C
B
A

F
E
D
C
B
A