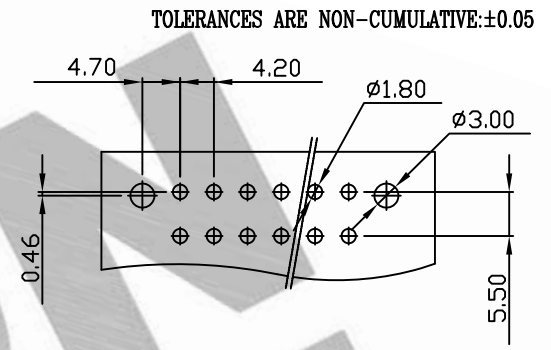
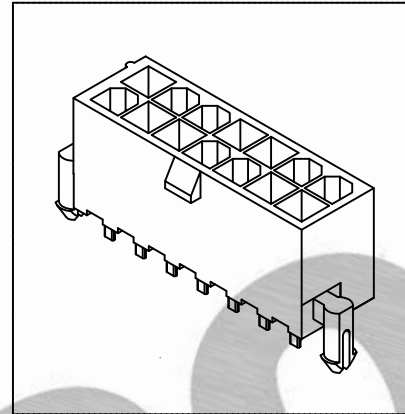
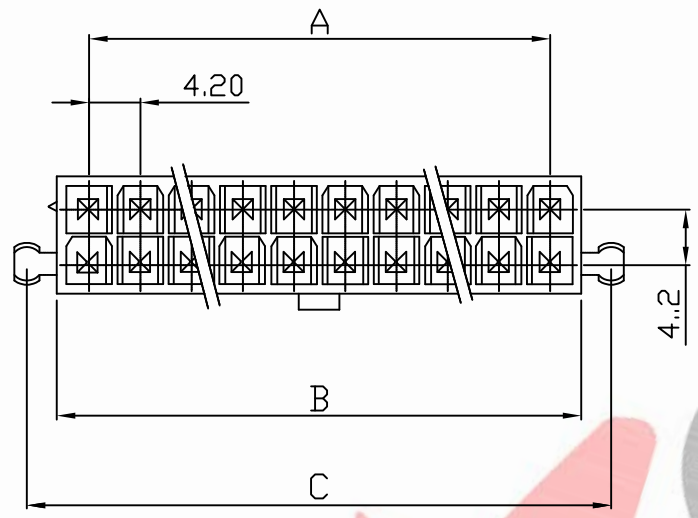
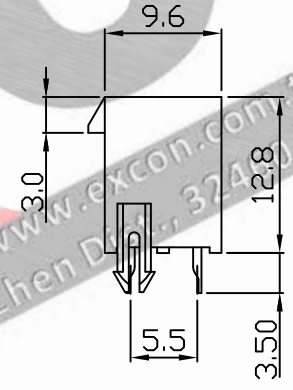
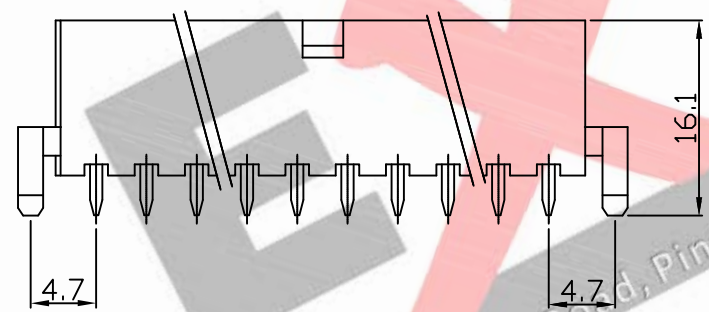


PART NO. 4201xxWSxxx
 DWG NO. C4201WS



TOLERANCES ARE NON-CUMULATIVE: ± 0.05
RECOMMENDED PCB LAYOUT
 (PCB THK=1.0~1.6)



Dimensional & Ordering Information:

Part No.		Circuits	A	B	C
NY66 UL94V0	NY66 UL94V2				
420102WS001	420102WS051	2		5.4	9.4
420104WS001	420104WS051	4	4.2	9.6	13.6
420106WS001	420106WS051	6	8.4	13.8	17.8
420108WS001	420108WS051	8	12.6	18.0	22.0
420110WS001	420110WS051	10	16.8	22.2	26.2
420112WS001	420112WS051	12	21.0	26.4	30.4
420114WS001	420114WS051	14	25.2	30.6	34.6
420106WS001	420106WS051	16	29.4	34.8	38.8
420118WS001	420118WS051	18	33.6	39.0	43.0
420120WS001	420120WS051	20	37.8	43.2	47.2
420122WS001	420122WS051	22	42.0	47.4	51.4
420124WS001	420124WS051	24	46.2	51.6	55.6

NOTE:

1. Wafer Material: Nylon 66 UL94V2 or V0
Pin/Pos Material: brass bronze.
2. Plated: Tin-plated 50u"min.
3. Insulation resistance: 1000M ohm/min.
4. Withstand voltage: 1500V AC/minute.
4. Current retang: 5A AC/DC.
5. Voltage rating: 600V AC/DC

UNLESS OTHERWISE SPECIFIED TOLERANCES				EXCON
3 PLACE ± 0.5 ± 0.10				
2 PLACE ± 1.5 ± 0.25				EXCON TECHNOLOGY COMPANY
1 PLACE ± 2.0 ± 0.50				
ANGLE DIM				
REV.	REVISION	DIS	DATE	PART.NO
SCALE	REV.	PAGE:	UNIT	DWG NO:
2/1	A	1	mm	C4201WS
THIRD ANGLE PROJECTION				4201xxWSxxx