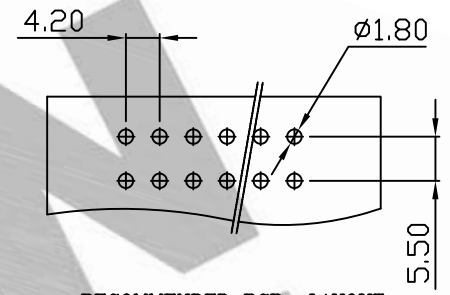
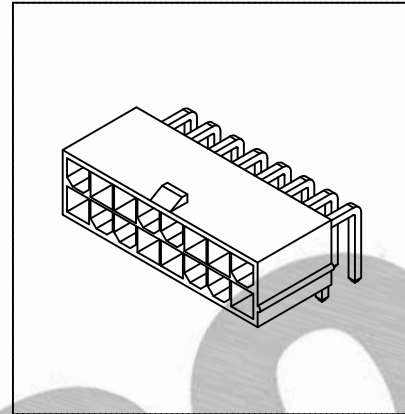
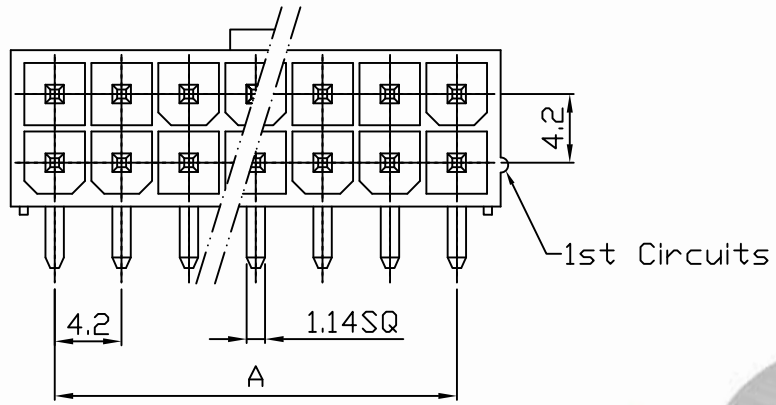
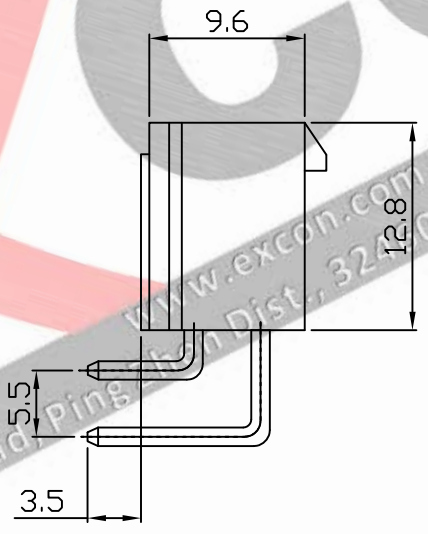
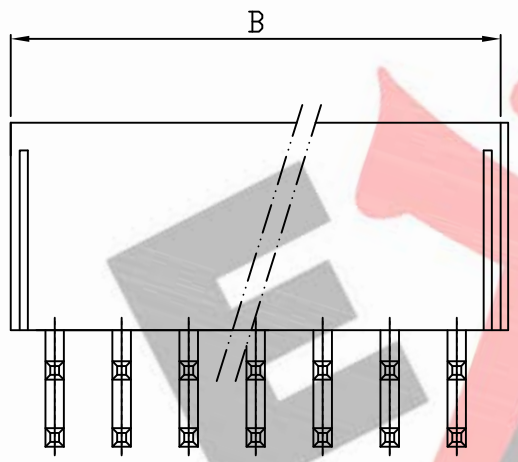


PART NO. 4201xxWRxxx
 DWG NO. C4201WR



RECOMMENDED PCB LAYOUT
 (PCB THK=1.0~1.6)



Dimensional & Ordering Information:

Part No.		Circuits	A	B
NY66 UL94V0	NY66 UL94V2			
420102WR001	420102WR051	2	4.2	5.4
420104WR001	420104WR051	4	8.4	9.6
420106WR001	420106WR051	6	12.6	13.8
420108WR001	420108WR051	8	16.8	18.0
420110WR001	420110WR051	10	21.0	22.2
420112WR001	420112WR051	12	25.2	26.4
420114WR001	420114WR051	14	29.4	30.6
420106WR001	420106WR051	16	33.6	34.8
420118WR001	420118WR051	18	37.8	39.0
420120WR001	420120WR051	20	42.0	43.2
420122WR001	420122WR051	22	46.2	47.4
420124WR001	420124WR051	24	46.2	51.6

NOTE:

1. Wafer Material: Nylon 66 UL94V2 or V0
Pin/Pos Material: brass bronze.
2. Plated: Tin-plated 50u"min.
3. Insulation resistance: 1000M ohm/min.
4. Withstand voltage: 1500V AC/minute.
4. Current retang: 5A AC/DC.
5. Voltage rating: 600V AC/DC

REV.	REVISIONI	DIS	DATE	UNLESS OTHERWISE SPECIFIED TOLERANCES 3 PLACE ±0.5 ±0.10 2 PLACE ±1.5 ±0.25 1 PLACE ±2.0 ±0.50 ANGLE DIM
SCALE	REV.	PAGE:	UNIT	
2/1	A	1	mm	
THIRD ANGLE PROJECTION				

EXCON
 EXCON TECHNOLOGY COMPANY

PART.NO
 4201xxWRxxx