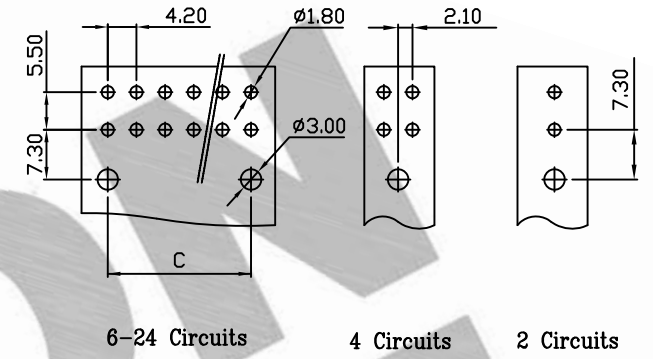
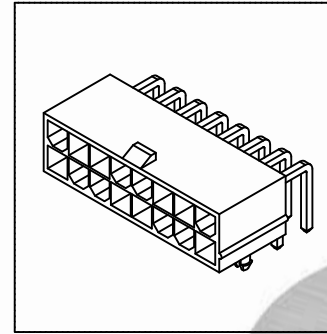
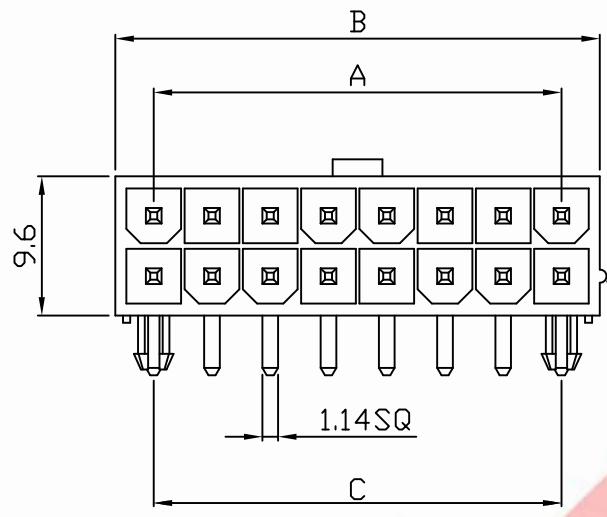
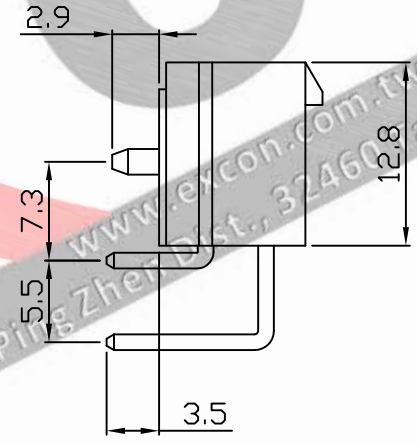
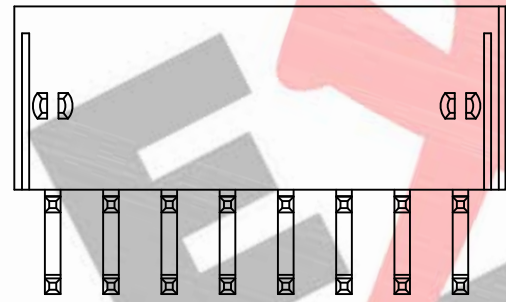


PART NO. 4201xxWFxxx
 DWG NO. C4201WF



RECOMMENDED PCB LAYOUT
 (PCB THK=1.0~1.6)



Dimensional & Ordering Information:

Part No.		Circuits	A	B	C
NY66 UL94V0	NY66 UL94V2				
420102WF001	420102WF051	2		5.4	
420104WF001	420104WF051	4	4.2	9.6	
420106WF001	420106WF051	6	8.4	13.8	8.4
420108WF001	420108WF051	8	12.6	18.0	12.6
420110WF001	420110WF051	10	16.8	22.2	16.8
420112WF001	420112WF051	12	21.0	26.4	21.0
420114WF001	420114WF051	14	25.2	30.6	25.2
420116WF001	420116WF051	16	29.4	34.8	29.4
420118WF001	420118WF051	18	33.6	39.0	33.6
420120WF001	420120WF051	20	37.8	43.2	37.8
420122WF001	420122WF051	22	42.0	47.4	42.0
420124WF001	420124WF051	24	46.2	51.6	46.2

NOTE:

1. Wafer Material: Nylon 66 UL94V2 or V0
Pin/Pos Material: brass bronze.
2. Plated: Tin-plated 50u"min.
3. Insulation resistance: 1000M ohm/min.
4. Withstand voltage: 1500V AC/minute.
4. Current retang: 5A AC/DC.
5. Voltage rating: 600V AC/DC

REV.				REVISIONI		DIS	DATE	UNLESS OTHERWISE SPECIFIED TOLERANCES 3 PLACE ±0.5 ±0.10 2 PLACE ±1.5 ±0.25 1 PLACE ±2.0 ±0.50 ANGLE DIM	 EXCON TECHNOLOGY COMPANY
SCALE	REV.	PAGE:	UNIT	mm		DWG NO:			
2/1	A	1	THIRD ANGLE PROJECTION			C4201WF		4201xxWFxxx	