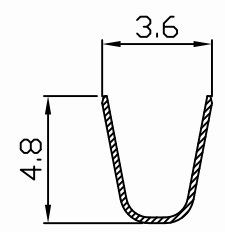
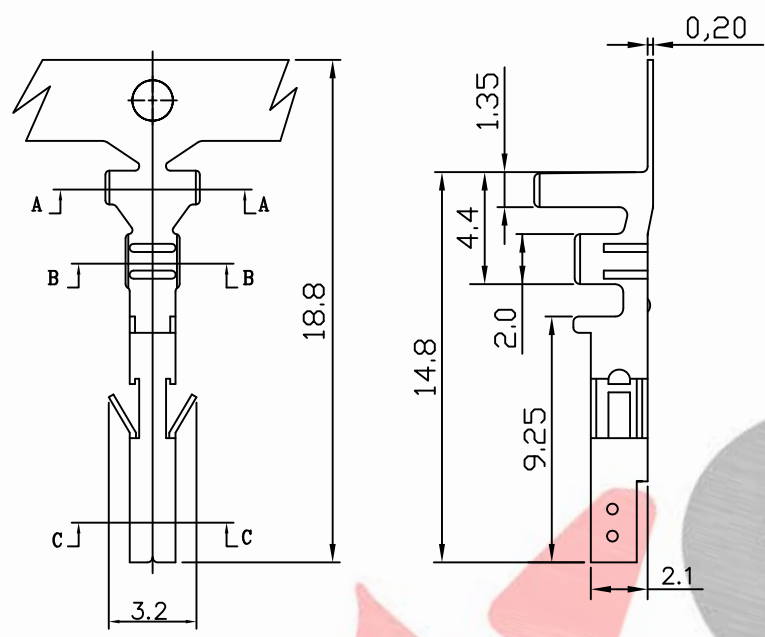
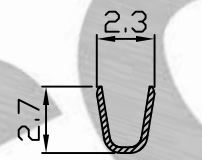


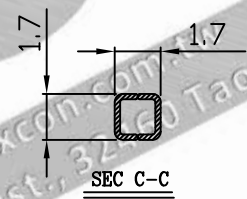
PART NO. 420100TYxxx
 DWG NO. C4201TY



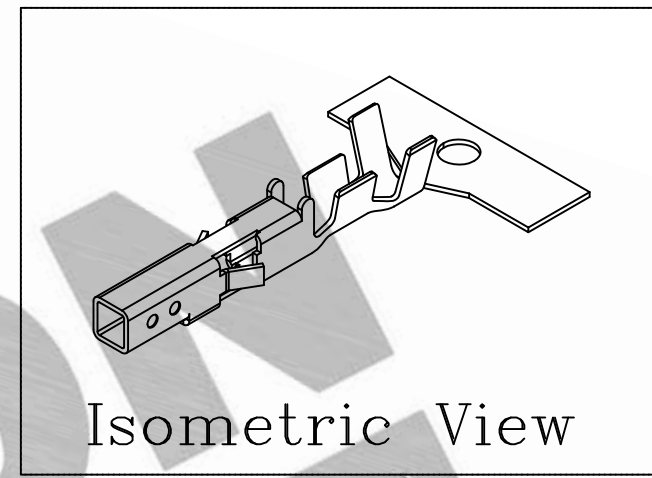
SEC A-A



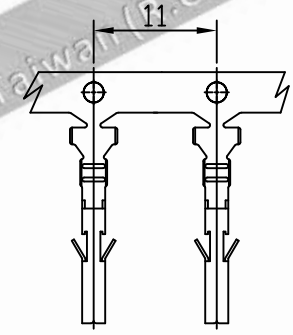
SEC B-B



SEC C-C



Isometric View



- NOTE:
1. Terminal Material: Brass bronze or Phosphor bronze
 2. Plated: Tin pre-plated 50u"min.
 3. Current rating: 5A AC/DC
 4. Voltage rating: 600V AC/DC
 5. Withstand voltage: 1500V AC/minute
 6. Insulation resistance: 1000MΩ min
 7. Insulation O.D.: 1.7~2.8mm
 8. Q'ty / reel: 4,000pcs

No.	Part No.	Wire Range	Material	Finishing
1	420100TY051	AWG#16~#20	Brass	Tin pre-plated
2	420100TY351	AWG#16~#20	Phosphor	Tin pre-plated

C		DWG RELEASE		Christy	1/7	UNLESS OTHERWISE SPECIFIED TOLERANCES 3 PLACE ±0.5 ±0.10 2 PLACE ±1.5 ±0.25 1 PLACE ±2.0 ±0.50 ANGLE DIM	 EXCON TECHNOLOGY COMPANY
REV.	REVISIONI			DIS	DATE		
SCALE	REV.	PAGE:	UNIT	mm		DWG NO:	PART.NO
4/1	C	1/1	THIRD ANGLE	PROJECTION		C4201TY	420100TYxxx