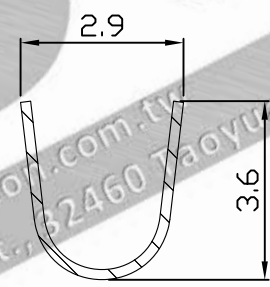
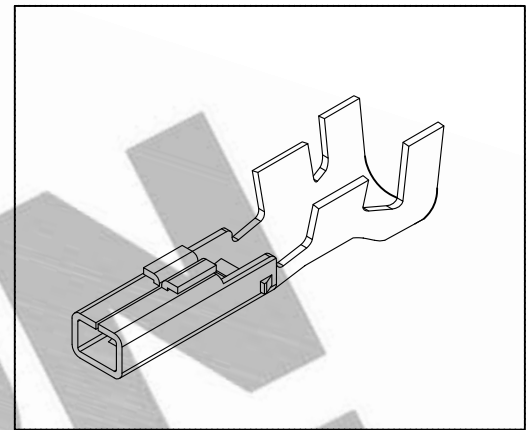
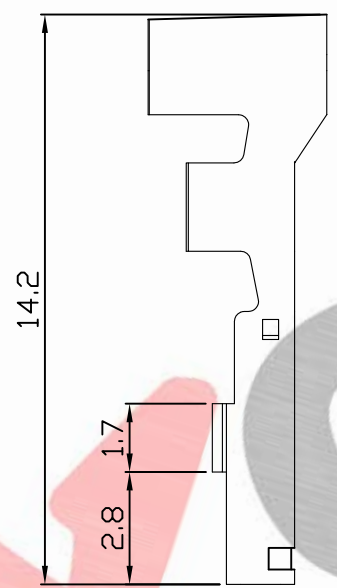
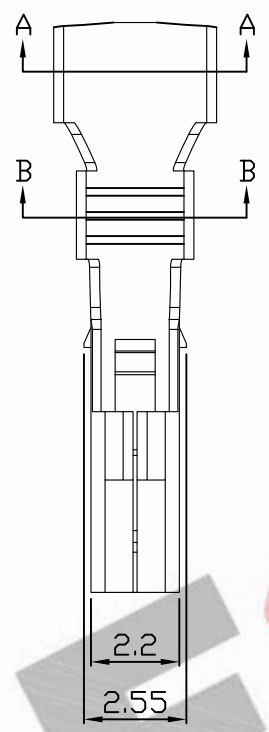
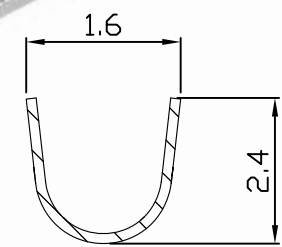


10 9 8 7 6 5 4 3 2 1

PART NO. 396900TH051
 DWG NO. C3969TH



SEC A-A



SEC B-B

NOTE:

1. Terminal Material: Brass bronze
2. Plated: Tin pre-plated 50u"min.
3. Current rating: 5A AC/DC
4. Voltage rating: 250V AC/DC
5. Withstand voltage: 1000V AC/minute
6. Insulation resistance: 1000MΩ min
7. Applicable wires: AWG#16-#24
8. Insulation O.D.: 1.2~3.2mm
9. Q'ty / reel: 5,000pcs

					UNLESS OTHERWISE SPECIFIED TOLERANCES		EXCON EXCON TECHNOLOGY COMPANY
					3 PLACE ±0.5 ±0.10		
					2 PLACE ±1.5 ±0.35		
					1 PLACE ±2.0 ±0.50		
REV.	REVISIONI			DIS	DATE	ANGLE DIM	
SCALE	REV.	PAGE:	UNIT	mm		DWG NO:	PART.NO
4/1	A	1	THIRD ANGLE PROJECTION			C3969TH	396900TH051

EXCON

www.excon.com.tw
 89, Xing Long Road, Ping Zhen Dist., 32460 Taoyuan City, Taiwan (R.O.C)

10 9 8 7 6 5 4 3 2 1