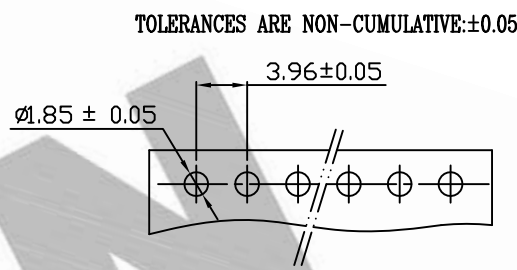
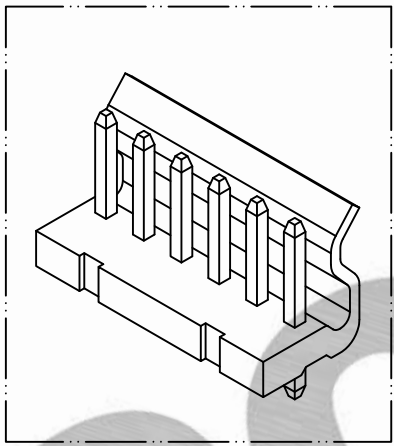
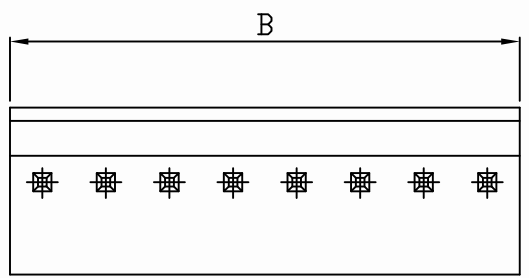
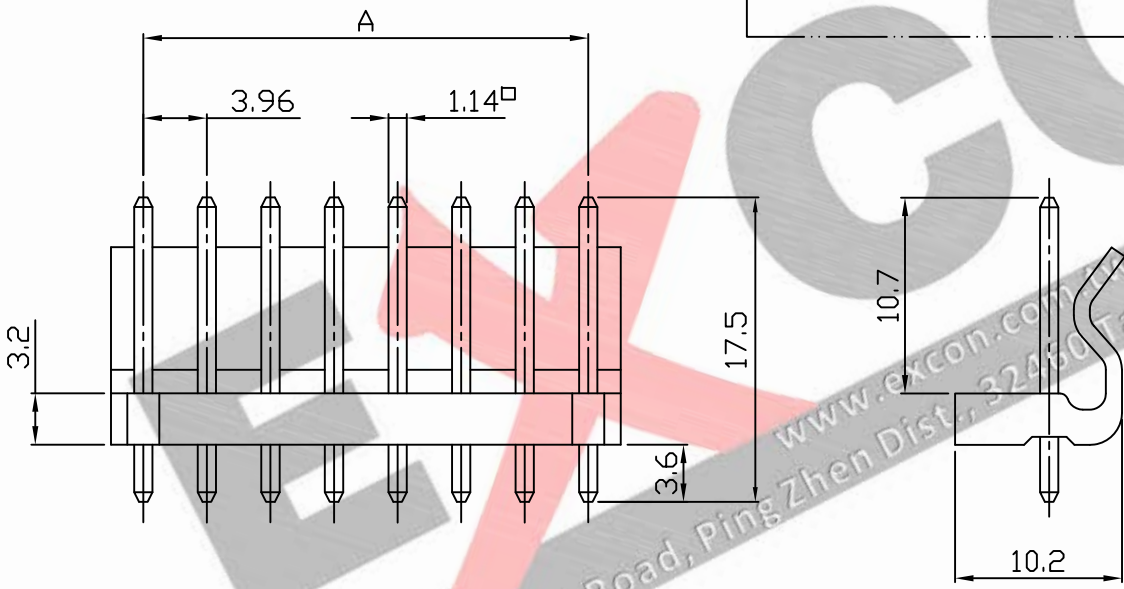


PART NO. 3961xxWV051
 DWG NO. C3961WV



RECOMMENDED PCB LAYOUT
 (PCB THK=1.0~1.6)



Part No.	Circuits	Dim A	Dim B
396102WV051	2	3.96	7.92
396103WV051	3	7.92	11.88
396104WV051	4	11.88	15.84
396105WV051	5	15.84	19.80
396106WV051	6	19.80	23.76
396107WV051	7	23.76	27.72
396108WV051	8	27.72	31.68
396109WV051	9	31.68	35.64
396110WV051	10	35.64	39.60
396111WV051	11	39.60	43.56
396112WV051	12	43.56	47.52
396113WV051	13	47.52	51.48
396114WV051	14	51.48	55.44
396115WV051	15	55.44	59.40
396116WV051	16	59.40	63.36
396117WV051	17	63.36	67.32
396118WV051	18	67.32	71.28
396119WV051	19	71.28	75.24
396120WV051	20	75.24	79.20

NOTE:

1. Wafer Material: Nylon 66 UL94V-2
Pin/Pos Material: brass bronze.
2. Plated: Tin-plated 50u"min.
3. Insulation resistance: 1000M ohm/min.
4. Withstand voltage: 1500V AC/minute.
5. Current rating: 5A AC/DC.
6. Voltage rating: 250V AC/DC

				UNLESS OTHERWISE SPECIFIED TOLERANCES		EXCON EXCON TECHNOLOGY COMPANY
				3 PLACE ±0.5 ±0.10		
				2 PLACE ±1.5 ±0.25		
				1 PLACE ±2.0 ±0.50		PART.NO
				ANGLE DIM		
REV.	REVISIONI			DIS	DATE	DWG NO: C3961WV
SCALE	REV.	PAGE:	UNIT	mm		
1/1	A	1	THIRD ANGLE PROJECTION			3961xxWV051