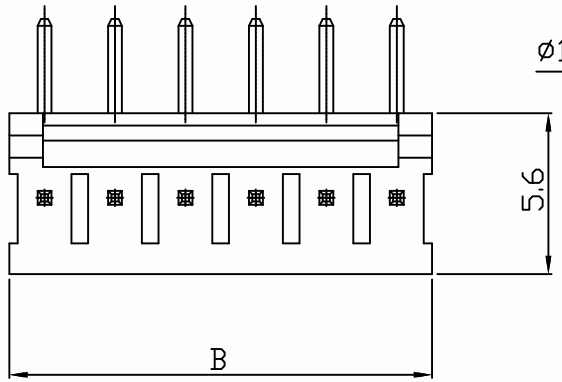
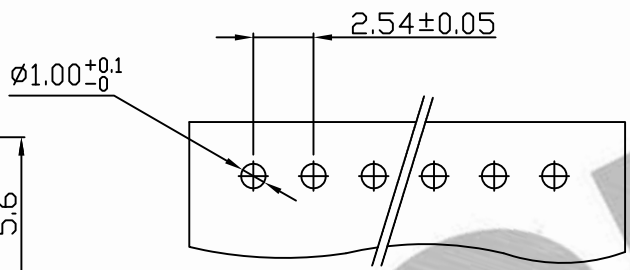


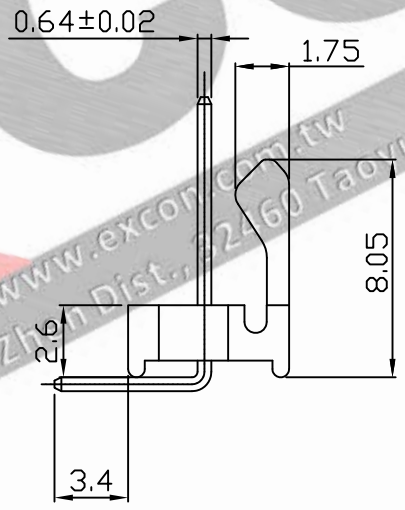
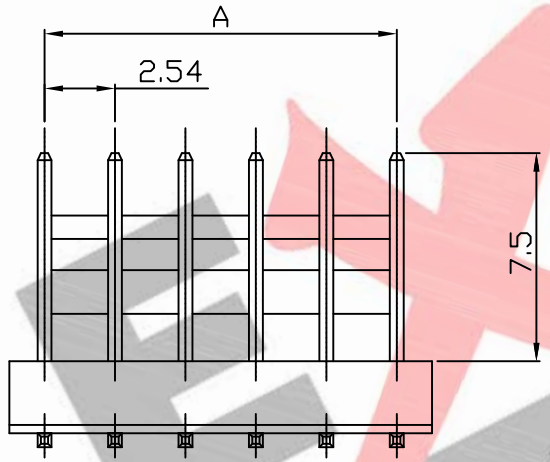
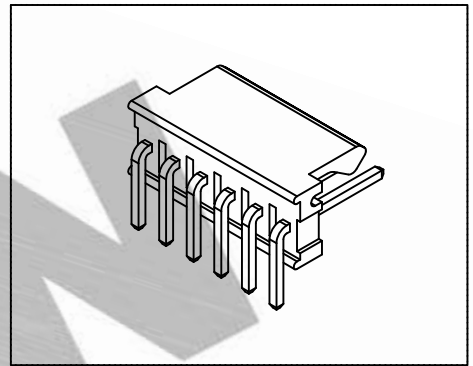
PART NO. 2549xxWR001
 DWG NO. C2549WR



TOLERANCES ARE NON-CUMULATIVE:±0.05



RECOMMENDED PCB LAYOUT
 (PCB THK=1.0~1.6)



Dimensional & Ordering Information:

Part No.	Circuits	Dim A	Dim B
254902WR001	2	2.54	5.08
254903WR001	3	5.08	7.62
254904WR001	4	7.62	10.16
254905WR001	5	10.16	12.70
254906WR001	6	12.70	15.24
254907WR001	7	15.24	17.78
254908WR001	8	17.78	20.32
254909WR001	9	20.32	22.86
254910WR001	10	22.86	25.40
254911WR001	11	25.40	27.94
254912WR001	12	27.94	30.48
254913WR001	13	30.48	33.02
254914WR001	14	33.02	35.56
254915WR001	15	35.56	38.10
254916WR001	16	38.10	40.64
254917WR001	17	40.64	43.18
254918WR001	18	43.18	45.72
254919WR001	19	45.72	48.26
254920WR001	20	48.26	50.80

NOTE:

1. Wafer Material: Nylon 66 UL94V0
Pin/Pos Material: brass bronze.
2. Plated: Tin-plated 50u"min.
3. Insulation resistance: 1000MΩ min.
4. Withstand voltage: 1000V AC/minute.
5. Current retang: 3A AC/DC.
6. Voltage rating: 250V AC/DC

UNLESS OTHERWISE SPECIFIED TOLERANCES			
3 PLACE ±0.5 ±0.10			
2 PLACE ±1.5 ±0.35			
1 PLACE ±2.0 ±0.50			
ANGLE DIM			
REV.	REVISIONI	DIS	DATE
SCALE	REV.	PAGE:	UNIT mm
4/1	A	1	THIRD ANGLE PROJECTION

DWG NO: C2549WR

EXCON
 EXCON TECHNOLOGY COMPANY

PART.NO
 2549xxWR001