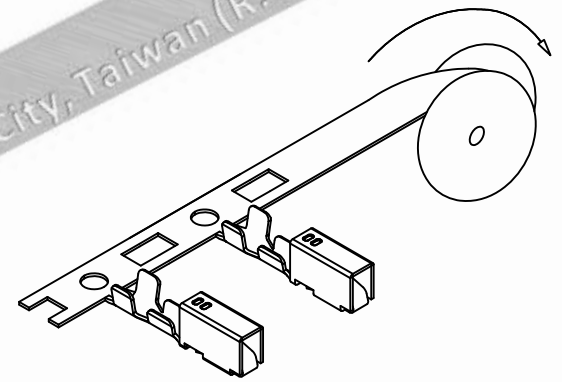
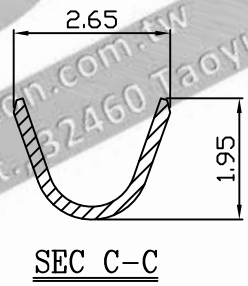
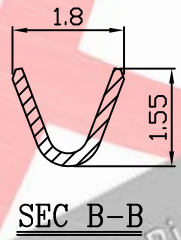
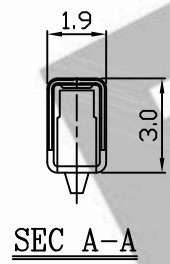
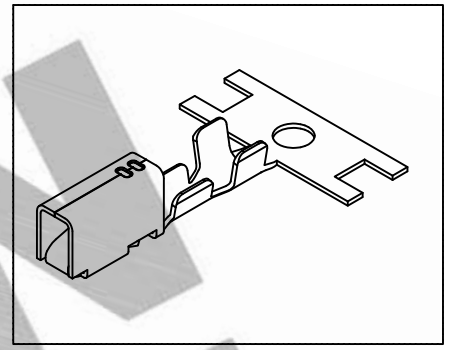
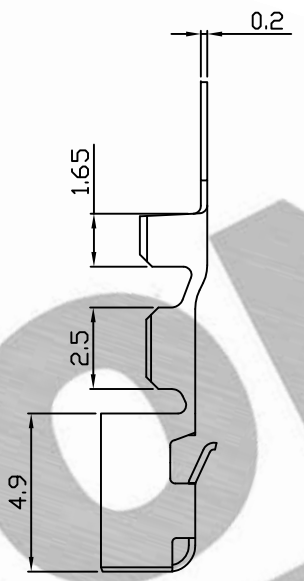
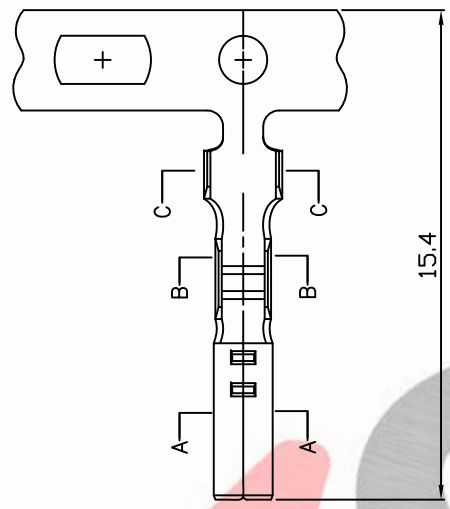
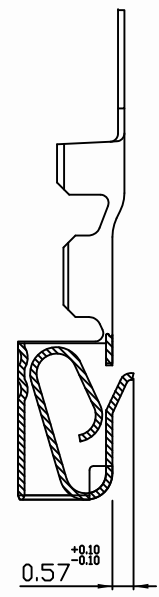


PART NO. 254900TCxxx
 DWG NO. C2549TC



NOTE:

1. Terminal Material: See table
2. Plated: Ni 25u"min Tin-plated 50u"min.
4. Applicable wires: See table
5. Q'ty / reel: 6,000 pcs

Part No.	Wire Range	Material	Finish
254900TC051	AWG#26~#22	brass	Tin pre-plated
254900TC351	AWG#26~#22	phosphor	Tin pre-plated
254900TC501	AWG#26~#22	phosphor	Gold flash

REV.	REVISION	DIS	DATE
4/1	B	1	

UNLESS OTHERWISE SPECIFIED TOLERANCES
 3 PLACE ±0.5 ±0.10
 2 PLACE ±1.5 ±0.35
 1 PLACE ±2.0 ±0.50
 ANGLE DIM

EXCON
 EXCON TECHNOLOGY COMPANY

PART.NO
 254900TCxxx

SCALE	REV.	PAGE:	UNIT	mm	DWG NO:	PART.NO
4/1	B	1	THIRD ANGLE PROJECTION		C2549TC	254900TCxxx