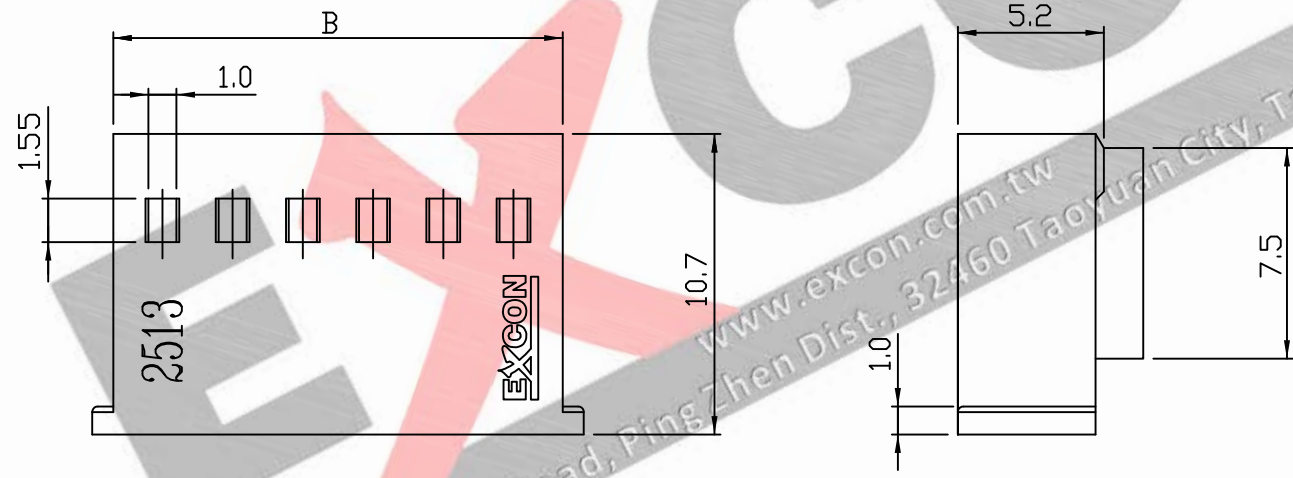
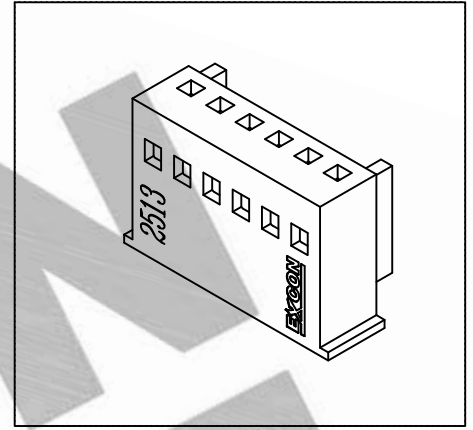
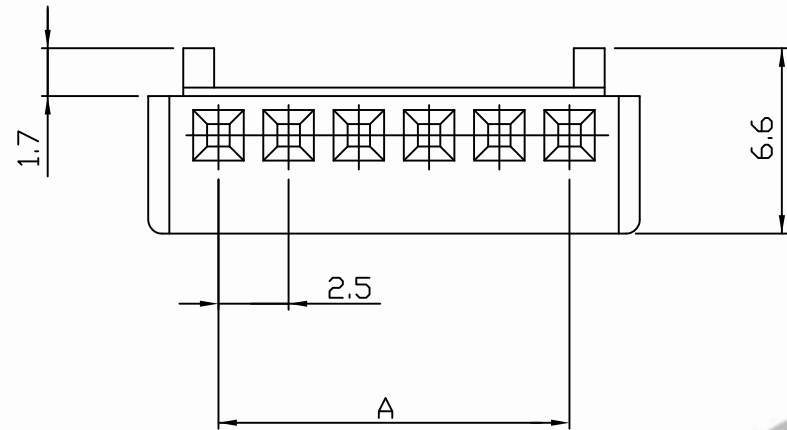


PART NO. 2513xxHM051  
 DWG NO. C2513HM



**Dimensional & Ordering Information:**

| Part No.    | Circuits | Dim A | Dim B |
|-------------|----------|-------|-------|
| 251302HM001 | 2        | 2.5   | 6.00  |
| 251303HM001 | 3        | 5.0   | 8.50  |
| 251304HM001 | 4        | 7.5   | 11.00 |
| 251305HM001 | 5        | 10.0  | 13.50 |
| 251306HM001 | 6        | 12.5  | 16.00 |
| 251307HM001 | 7        | 15.0  | 18.50 |
| 251308HM001 | 8        | 17.5  | 21.00 |
| 251309HM001 | 9        | 20.0  | 23.50 |
| 251310HM001 | 10       | 22.5  | 26.00 |
| 251311HM001 | 11       | 25.0  | 28.50 |
| 251312HM001 | 12       | 27.5  | 31.00 |
| 251313HM001 | 13       | 30.0  | 33.50 |
| 251314HM001 | 14       | 32.5  | 36.00 |
| 251315HM001 | 15       | 35.0  | 38.50 |
| 251316HM001 | 16       | 37.5  | 41.00 |

**NOTE:**

1. Housing Material: Nylon 66 UL94V0
2. Color: Natural
3. Insulation resistance: 1000M  $\Omega$  min.
4. Withstand voltage: 1000V AC/minute.
5. Current rating: 3A AC/DC.
6. Voltage rating: 250V AC/DC

|       |          |       |                        |                                       |      |
|-------|----------|-------|------------------------|---------------------------------------|------|
|       |          |       |                        | UNLESS OTHERWISE SPECIFIED TOLERANCES |      |
|       |          |       |                        | 3 PLACE $\pm 0.5$ $\pm 0.10$          |      |
|       |          |       |                        | 2 PLACE $\pm 1.5$ $\pm 0.35$          |      |
|       |          |       |                        | 1 PLACE $\pm 2.0$ $\pm 0.50$          |      |
|       |          |       |                        | ANGLE DIM                             |      |
| REV.  | REVISION |       |                        | DIS                                   | DATE |
| SCALE | REV.     | PAGE: | UNIT                   | mm                                    |      |
| 4/1   | A        | 1     | THIRD ANGLE PROJECTION |                                       |      |

DWG NO: C2513HM

**EXCON**

**EXCON TECHNOLOGY COMPANY**

---

PART.NO

2513xxHM001