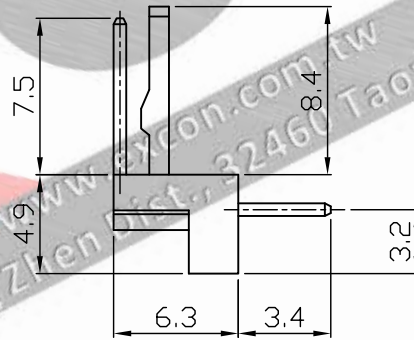
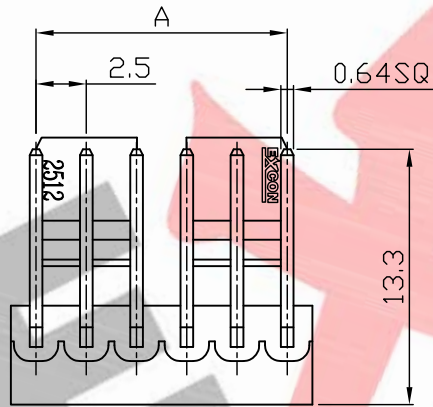
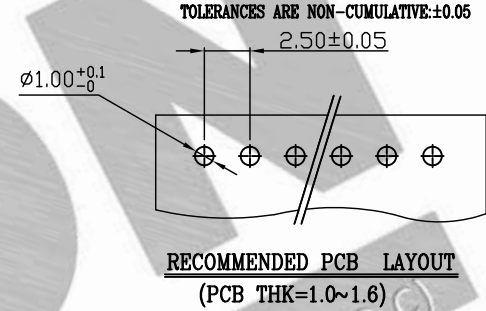
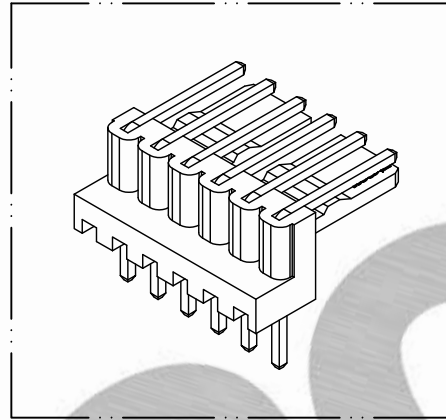
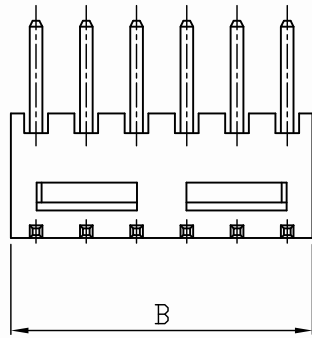


PART NO. 2512xxWR054
 DWG NO. C2512WR



Dimensional & Ordering Information:

Part No.	Circuits	Dim A	Dim B
251202WR054	2	2.50	5.00
251203WR054	3	5.00	7.50
251204WR054	4	7.50	10.00
251205WR054	5	10.00	12.50
251206WR054	6	12.50	15.00
251207WR054	7	15.00	17.50
251208WR054	8	17.50	20.00
251209WR054	9	20.00	22.50
251210WR054	10	22.50	25.00
251211WR054	11	25.00	27.50
251212WR054	12	27.50	30.00
251213WR054	13	30.00	32.50
251214WR054	14	32.50	35.00
251215WR054	15	35.00	37.50

NOTE:

1. Wafer Material: Nylon 66 UL94V-2
Pin/Pos Material: brass bronze.
2. Plated: Tin-plated 50u"min.
3. Insulation resistance: 1000MΩ/min.
4. Withstand voltage: 1000V AC/minute.
5. Current retang: 3A AC/DC.
6. Voltage rating: 250V AC/DC

				UNLESS OTHERWISE SPECIFIED TOLERANCES	
				3 PLACE ±0.5 ±0.10	
				2 PLACE ±1.5 ±0.25	
				1 PLACE ±2.0 ±0.50	
				ANGLE DIM	
REV.	REVISIONI			DIS	DATE
SCALE	REV.	PAGE:	UNIT	mm	
4/1	A	1	THIRD ANGLE PROJECTION		
				DWG NO:	C2512WR

EXCON

EXCON TECHNOLOGY COMPANY

PART.NO

2512xxWR054