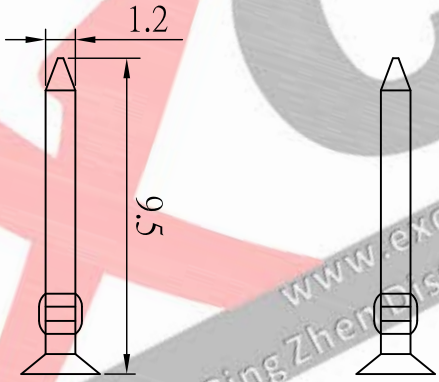
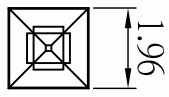
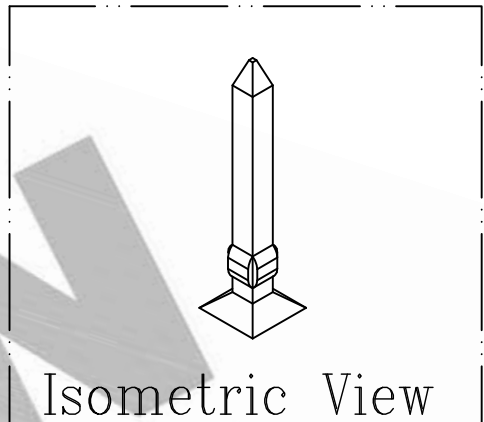
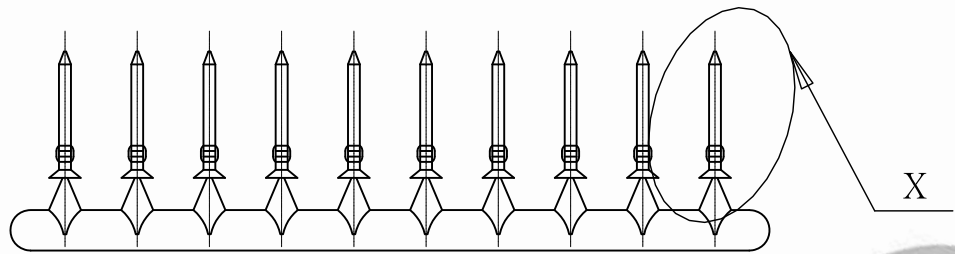


10 9 8 7 6 5 4 3 2 1

PART NO. 251200HK201  
 DWG NO. C2512HK



DETAIL X

Dimensional & Ordering Information:

No	Part No.	Color
1	251200HK201	Natural
2	251200HK203	Black

NOTE:

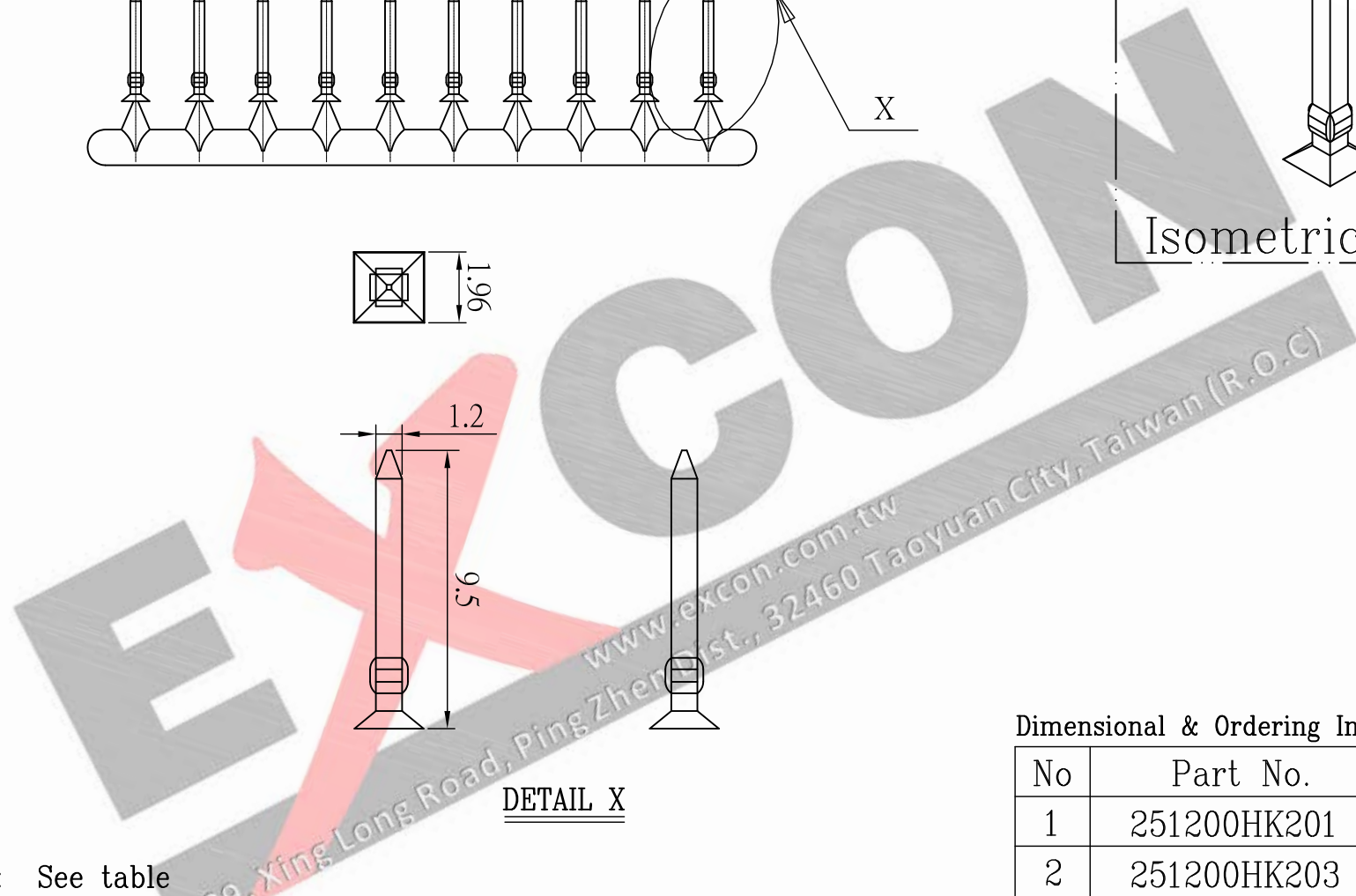
1. Part Name: See table
2. Key Material: PBT UL94V0
3. Current rating: 3A AC/DC.
4. Voltage rating: 250V AC/DC
5. Withstand voltage: 1000V AC/minute.
6. Insulation resistance: 1000MΩ /min.

B	DWG RELEASE		Christy	12/06/2016
REV.	REVISIONI			DIS DATE
SCALE	REV.	PAGE:	UNIT	mm
2/1	B	1/1	THIRD ANGLE PROJECTION	

UNLESS OTHERWISE SPECIFIED TOLERANCES  
 3 PLACE ±0.5 ±0.10  
 2 PLACE ±1.5 ±0.25  
 1 PLACE ±2.0 ±0.50  
 ANGLE DIM



DWG NO:	PART.NO
C2512HK	251200HK201



F  
E  
D  
C  
B  
A

F  
E  
D  
C  
B  
A

10 9 8 7 6 5 4 3 2 1