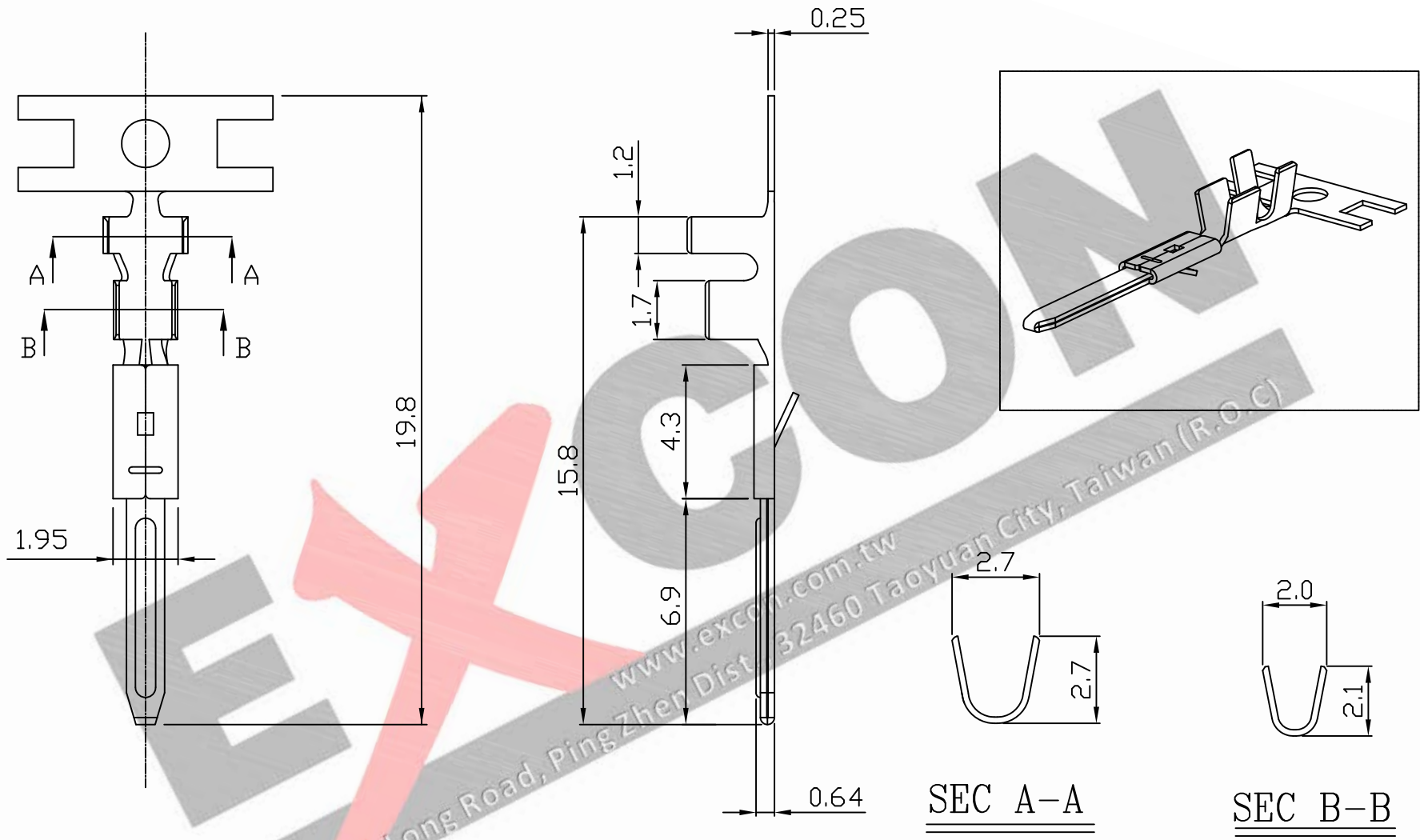


PART NO. 250800TA051
 DWG NO. C2508TA



- NOTE 1 :
1. Terminal Material: Brass
 2. Plated: Ni 25u"min Tin-plated 50u"min.
 3. Applicable wires: #28~#22
 4. Q'ty / reel: 10,000 pcs

					UNLESS OTHERWISE SPECIFIED TOLERANCES		 EXCON TECHNOLOGY COMPANY
					3 PLACE ±0.5 ±0.10		
					2 PLACE ±1.5 ±0.35		
					1 PLACE ±2.0 ±0.50		
					ANGLE DIM		
REV.	REVISIONI			DIS	DATE		
SCALE	REV.	PAGE:	UNIT	mm		DWG NO:	PART.NO
4/1	A	1	THIRD ANGLE PROJECTION			C2508TA	250800TA051