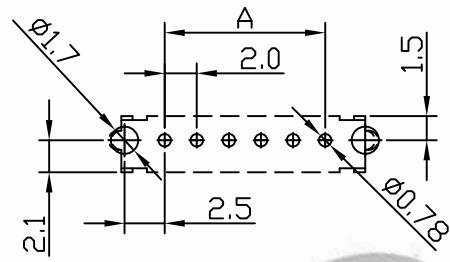
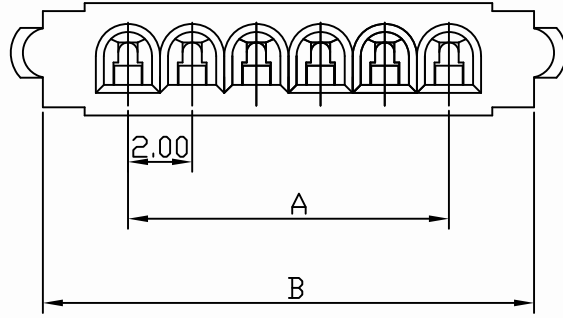
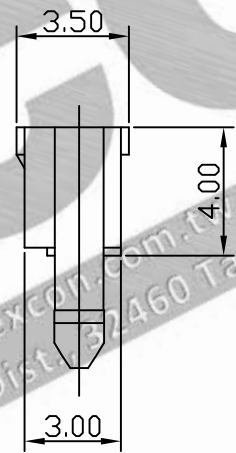
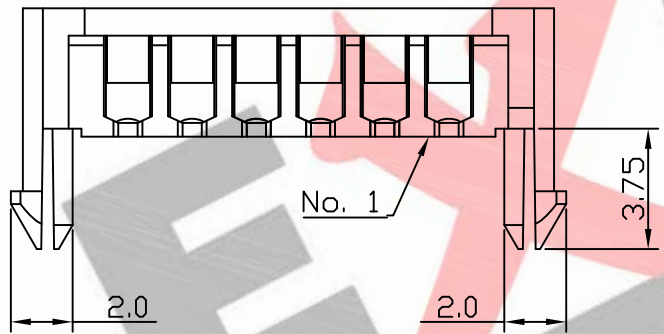
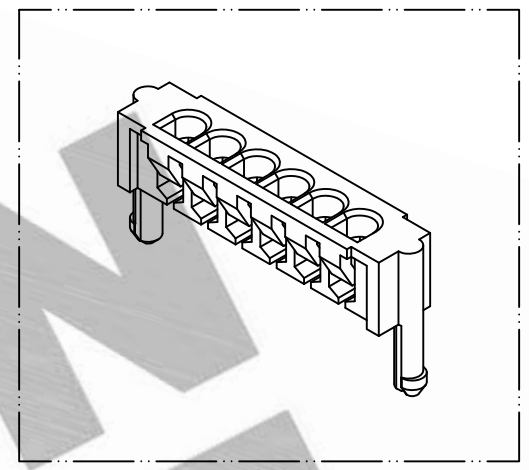


PART NO. 2012xxHA001  
 DWG NO. C2012HA



RECOMMENDED PCB LAYOUT



Dimensional and Ordering Information

PART NO	POS	A	B
201202HA001	2P	2.0	7.2
201203HA001	3P	4.0	9.2
201204HA001	4P	6.0	11.2
201205HA001	5P	8.0	13.2
201206HA001	6P	10.0	15.2
201207HA001	7P	12.0	17.2
201208HA001	8P	14.0	19.2
201209HA001	9P	16.0	21.2
201210HA001	10P	18.0	23.2
201211HA001	11P	20.0	25.2
201212HA001	12P	22.0	27.2
201213HA001	13P	24.0	29.2
201214HA001	14P	26.0	31.2
201215HA001	15P	28.0	33.2

NOTE:

1. Housing Material: Nylon 66 UL 94V-0
2. Insulation resistance: 1000M ohm/min.
3. Withstand voltage: 500V AC/minute.
4. Current rating: 1A AC/DC.
5. Voltage Rating: 125V AC/DC.
6. Applicable Wire Range: AWG #26-#28

				UNLESS OTHERWISE SPECIFIED TOLERANCES	
				3 PLACE ±0.5 ±0.10	
				2 PLACE ±1.5 ±0.35	
				1 PLACE ±2.0 ±0.50	
				ANGLE DIM	
B	Modify		Sam	081122	
REV.	REVISIONI		DIS	DATE	
SCALE	REV.	PAGE:	UNIT	mm	
5/1	B	1	THIRD ANGLE PROJECTION	DWG NO: C2012HA	

**EXCON**  
 EXCON TECHNOLOGY COMPANY

PART.NO  
 2012xxHA001