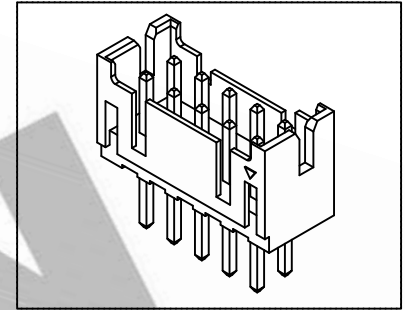
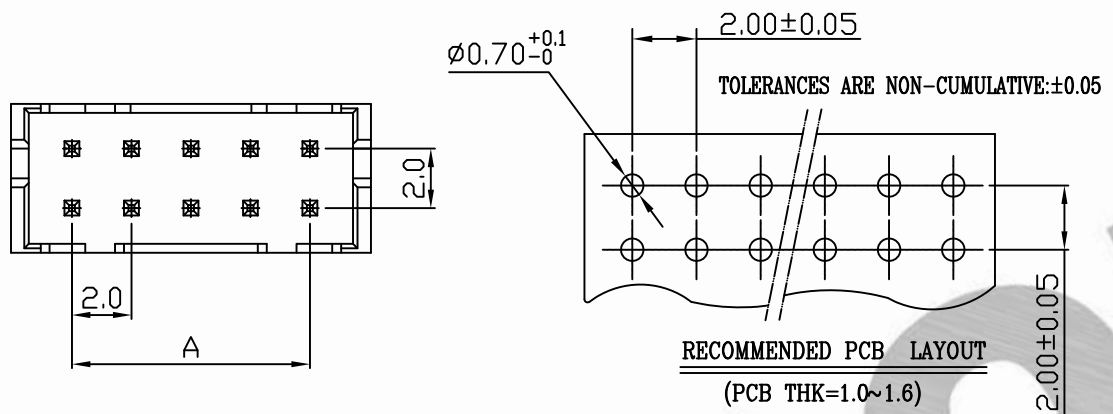
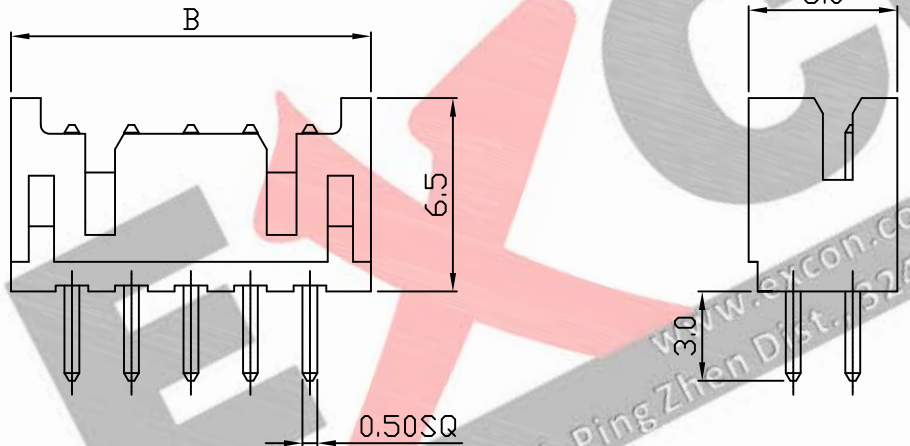


PART NO. 2008xxWV001  
 DWG NO. C2008WV



RECOMMENDED PCB LAYOUT  
 (PCB THK=1.0~1.6)

Dimensional & Ordering Information:



Part No.	Circuits	Dim A	Dim B
200806WV001	6	4.0	8.0
200808WV001	8	6.0	10.0
200810WV001	10	8.0	12.0
200812WV001	12	10.0	14.0
200814WV001	14	12.0	16.0
200816WV001	16	14.0	18.0
200818WV001	18	16.0	20.0
200820WV001	20	18.0	22.0
200822WV001	22	20.0	24.0
200824WV001	24	22.0	26.0
200826WV001	26	24.0	28.0
200828WV001	28	26.0	30.0
200830WV001	30	28.0	32.0
200832WV001	32	30.0	34.0
200834WV001	34	32.0	36.0
200836WV001	36	34.0	38.0

NOTE:

1. Wafer Material: Nylon 66 UL94V-0  
Pin/Pos Material: brass bronze.
2. Plated: Tin-plated 50u"min.
3. Insulation resistance: 1000M Ω min.
4. Withstand voltage: 800V AC/minute.
5. Current rating: 3A AC/DC.
6. Voltage rating: 250V AC/DC

UNLESS OTHERWISE SPECIFIED TOLERANCES			
3 PLACE ±0.5 ±0.10			
2 PLACE ±1.5 ±0.35			
1 PLACE ±2.0 ±0.50			
ANGLE DIM			
REV.	REVISION		DIS DATE
SCALE	REV.	PAGE:	UNIT mm
4/1	A	1	THIRD ANGLE PROJECTION
DWG NO:			C2008WV

**EXCON**  
 EXCON TECHNOLOGY COMPANY

PART.NO 2008xxWV001