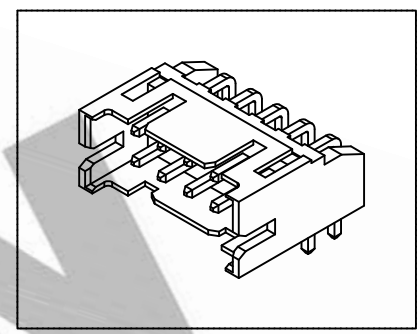
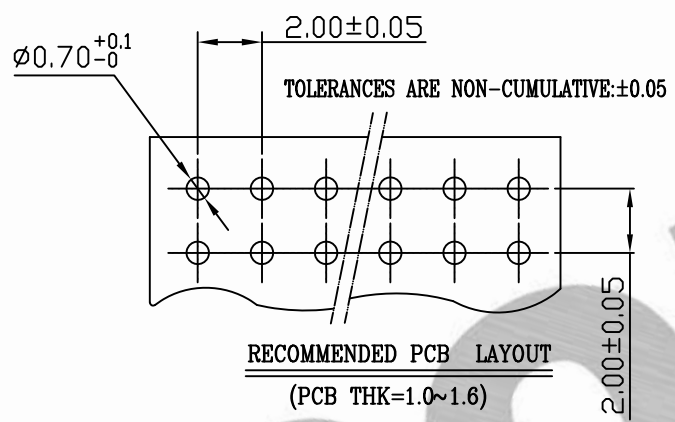
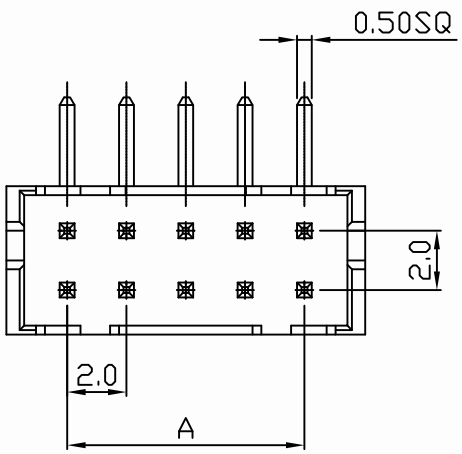
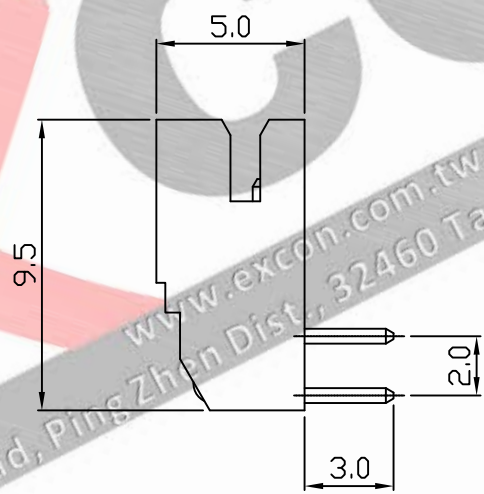
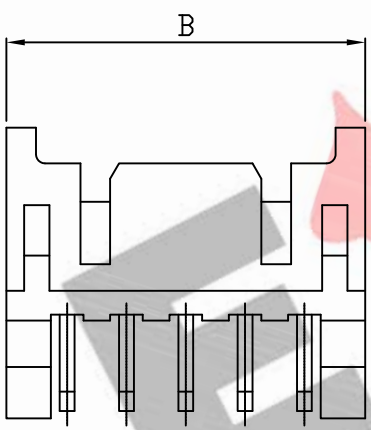


PART NO. 2008xxWR001  
 DWG NO. C2008WR



Dimensional & Ordering Information:



Part No.	Circuits	Dim A	Dim B
200806WR001	6	4.0	8.0
200808WR001	8	6.0	10.0
200810WR001	10	8.0	12.0
200812WR001	12	10.0	14.0
200814WR001	14	12.0	16.0
200816WR001	16	14.0	18.0
200818WR001	18	16.0	20.0
200820WR001	20	18.0	22.0
200822WR001	22	20.0	24.0
200824WR001	24	22.0	26.0
200826WR001	26	24.0	28.0
200828WR001	28	26.0	30.0
200830WR001	30	28.0	32.0
200832WR001	32	30.0	34.0
200834WR001	34	32.0	36.0
200836WR001	36	34.0	38.0

NOTE:

1. Wafer Material: Nylon 66 UL94V-0  
Pin/Pos Material: brass bronze.
2. Plated: Tin-plated 50u"min.
3. Insulation resistance: 1000M Ω min.
4. Withstand voltage: 800V AC/minute.
5. Current rating: 3A AC/DC.
6. Voltage rating: 250V AC/DC

UNLESS OTHERWISE SPECIFIED TOLERANCES			
3 PLACE ±0.5 ±0.10			
2 PLACE ±1.5 ±0.35			
1 PLACE ±2.0 ±0.50			
ANGLE DIM			
REV.	REVISION		DIS DATE
SCALE	REV.	PAGE:	UNIT mm
4/1	A	1	THIRD ANGLE PROJECTION
DWG NO:			C2008WR

**EXCON**  
 EXCON TECHNOLOGY COMPANY

PART.NO  
 2008xxWR001