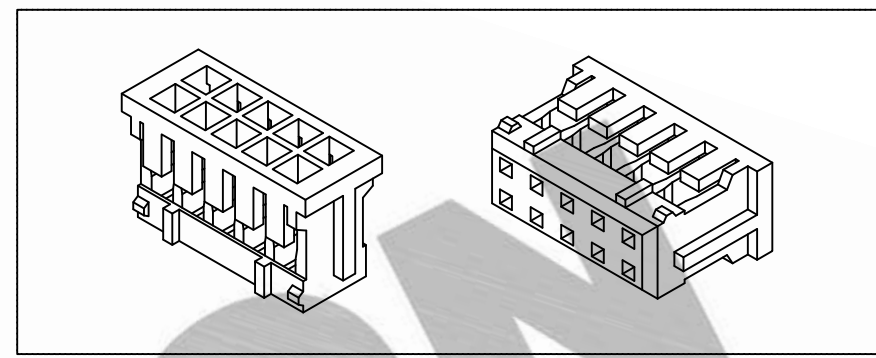
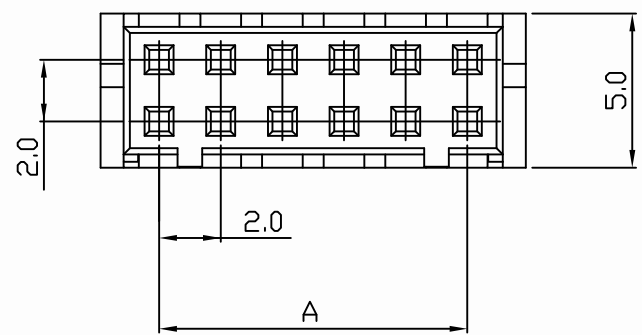
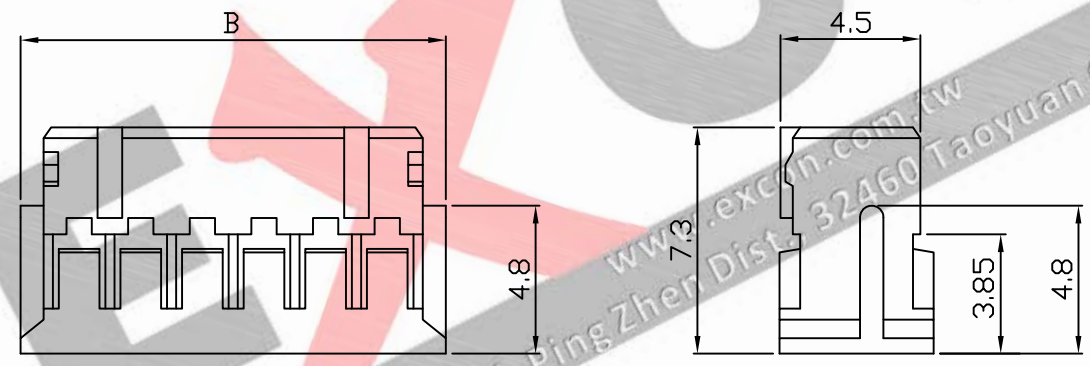


PART NO. 2008xxHA001
 DWG NO. C2008HA



Dimensional & Ordering Information:

Part No.	Circuits	Dim A	Dim B
200806HA001	6	4.0	8.0
200808HA001	8	6.0	10.0
200810HA001	10	8.0	12.0
200812HA001	12	10.0	14.0
200814HA001	14	12.0	16.0
200816HA001	16	14.0	18.0
200818HA001	18	16.0	20.0
200820HA001	20	18.0	22.0
200822HA001	22	20.0	24.0
200824HA001	24	22.0	26.0
200826HA001	26	24.0	28.0
200828HA001	28	26.0	30.0
200830HA001	30	28.0	32.0
200832HA001	32	30.0	34.0
200834HA001	34	32.0	36.0
200836HA001	36	34.0	38.0



NOTE:

1. Housing Material: Nylon 66 UL94V0
2. Color: Natural
3. Insulation resistance: 1000MΩ min.
4. Withstand voltage: 800V AC/minute.
5. Current rating: 3A AC/DC.
6. Voltage rating: 250V AC/DC

				UNLESS OTHERWISE SPECIFIED TOLERANCES	
				3 PLACE ±0.5 ±0.10	
				2 PLACE ±1.5 ±0.35	
				1 PLACE ±2.0 ±0.50	
				ANGLE DIM	
REV.	REVISION			DIS	DATE
SCALE	REV.	PAGE:	UNIT	mm	
4/1	A	1	THIRD ANGLE PROJECTION		

EXCON

EXCON TECHNOLOGY COMPANY

PART.NO

2008xxHA001