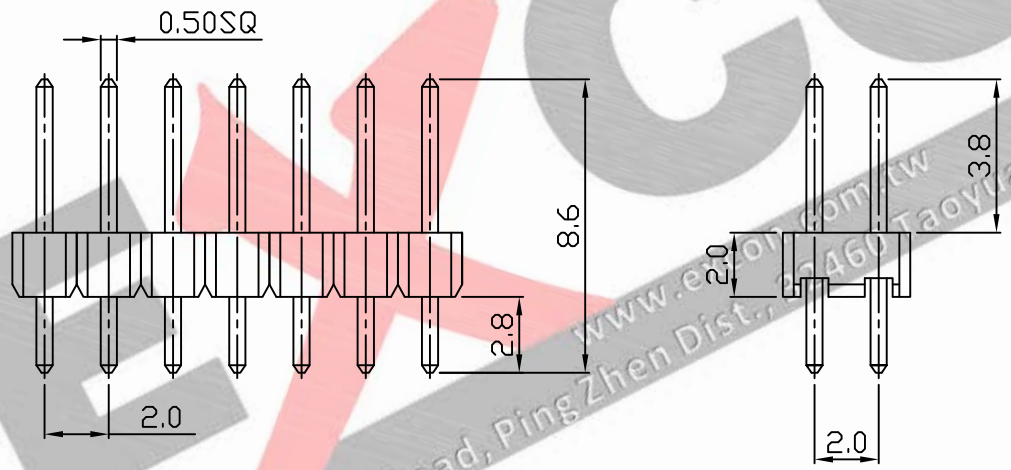
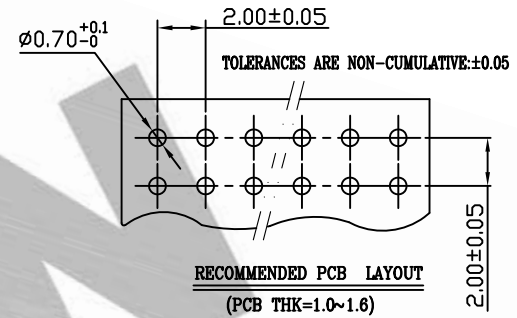
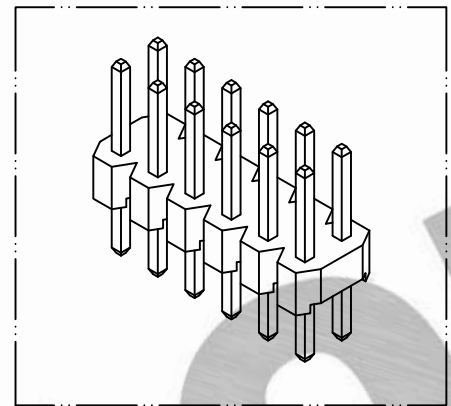
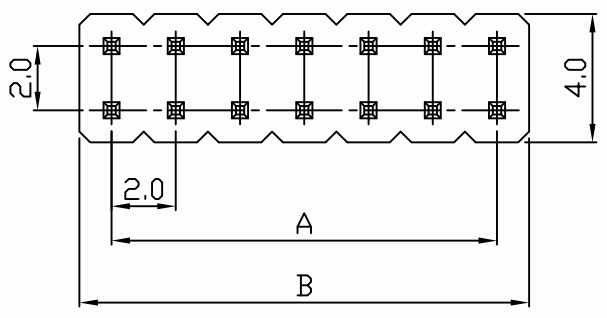


PART NO. 2005xxWV203
 DWG NO. C2005WV



NOTE:

1. Wafer Material: PBT UL94V-0
Pin/Pos Material: brass bronze.
2. Plated: Gold flash
3. Insulation resistance: 1000MΩ min.
4. Withstand voltage: 1000V AC/minute.
5. Current rating: 2.5A AC/DC.
6. Voltage rating: 200V AC/DC

Dimensional & Ordering Information:

Part No.	Circuits	Dim A	Dim B
200504WV203	4	2.00	4.00
200506WV203	6	4.00	6.00
200508WV203	8	6.00	8.00
200510WV203	10	8.00	10.00
200512WV203	12	10.00	12.00
200514WV203	14	12.00	14.00
200516WV203	16	14.00	16.00
200518WV203	18	16.00	18.00
200520WV203	20	18.00	20.00
200522WV203	22	20.00	22.00
200524WV203	24	22.00	24.00
200526WV203	26	24.00	26.00
200528WV203	28	26.00	28.00
200530WV203	30	28.00	30.00
200532WV203	32	30.00	32.00
200534WV203	34	32.00	34.00
200536WV203	36	34.00	36.00
200538WV203	38	36.00	38.00
200540WV203	40	38.00	40.00

UNLESS OTHERWISE SPECIFIED TOLERANCES			
3 PLACE ±0.5 ±0.10			
2 PLACE ±1.5 ±0.25			
1 PLACE ±2.0 ±0.50			
ANGLE DIM			
REV.	REVISION		DIS DATE
SCALE	REV.	PAGE:	UNIT mm
4/1	A	1	THIRD ANGLE PROJECTION

EXCON

EXCON TECHNOLOGY COMPANY

PART.NO

2005xxWV203