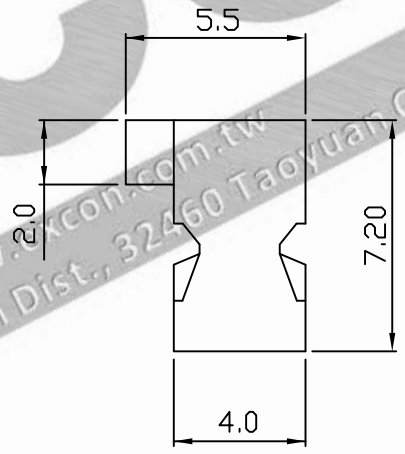
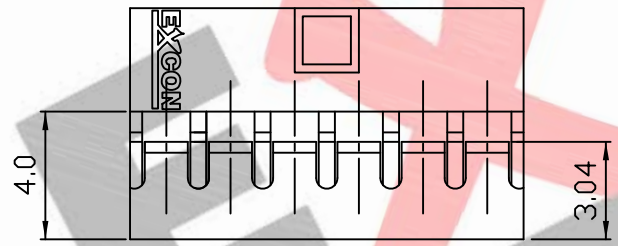
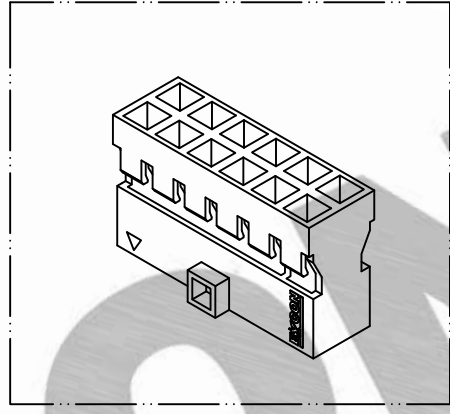
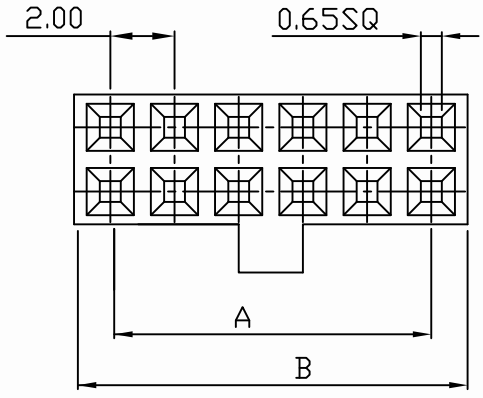


PART NO. 2005xxHB003  
 DWG NO. C2005HB



Dimensional & Ordering Information:

Part No.	Circuits	Dim A	Dim B
200504HB003	4	2.00	4.26
200506HB003	6	4.00	6.26
200508HB003	8	6.00	8.26
200510HB003	10	8.00	10.26
200512HB003	12	10.00	12.26
200514HB003	14	12.00	14.26
200516HB003	16	14.00	16.26
200518HB003	18	16.00	18.26
200520HB003	20	18.00	20.26
200522HB003	22	20.00	22.26
200524HB003	24	22.00	24.26
200526HB003	26	24.00	26.26
200528HB003	28	26.00	28.26
200530HB003	30	28.00	30.26
200532HB003	32	30.00	32.26
200534HB003	34	32.00	34.26
200536HB003	36	34.00	36.26
200538HB003	38	36.00	38.26
200540HB003	40	38.00	40.26

NOTE:

1. Housing Material: Ny 66 UL 94-V0
2. Insulation resistance: 1000MΩ min.
3. Withstand voltage: 1000V AC/minute.
4. Current rating: 2.5A AC/DC.
5. Voltage rating: 200V AC/DC
6. Color: Black

				UNLESS OTHERWISE SPECIFIED TOLERANCES		 <b>EXCON TECHNOLOGY COMPANY</b>
				3 PLACE ±0.5 ±0.10		
				2 PLACE ±1.5 ±0.25		
				1 PLACE ±2.0 ±0.50		PART.NO
				ANGLE DIM		
REV.	REVISIONI			DIS	DATE	DWG NO:
SCALE	REV.	PAGE:	UNIT	mm		
4/1	A	1	THIRD ANGLE PROJECTION			C2005HB
						2005xxHB003