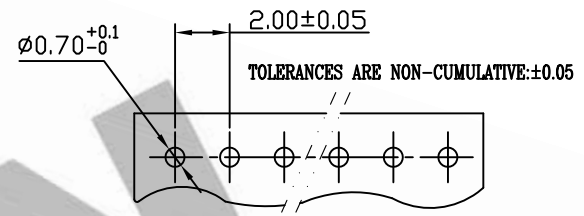
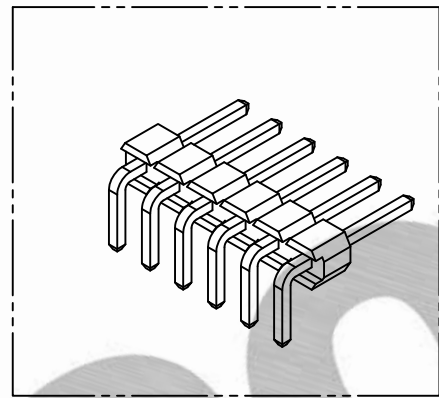
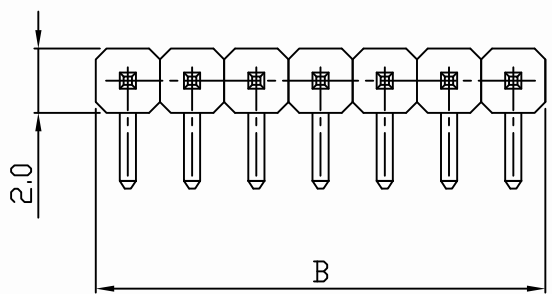
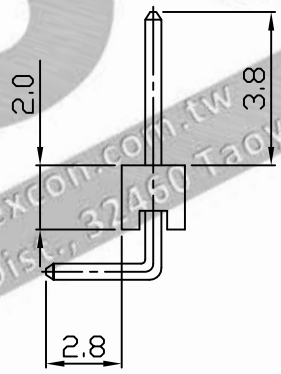
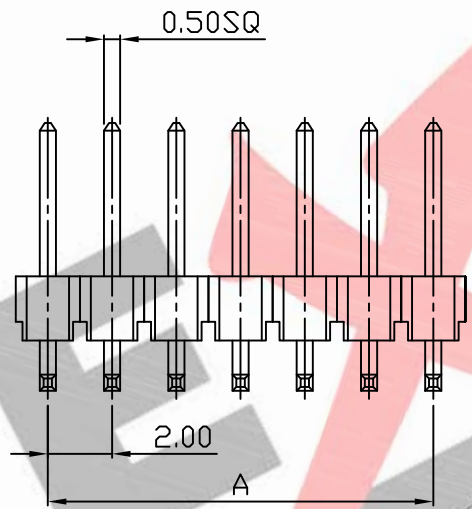


PART NO. 2004xxWR203
 DWG NO. C2004WR



RECOMMENDED PCB LAYOUT
 (PCB THK=1.0~1.6)



Dimensional & Ordering Information:

Part No.	Circuits	Dim A	Dim B
200401WR203	1	--	2.00
200402WR203	2	2.00	4.00
200403WR203	3	4.00	6.00
200404WR203	4	6.00	8.00
200405WR203	5	8.00	10.00
200406WR203	6	10.00	12.00
200407WR203	7	12.00	14.00
200408WR203	8	14.00	16.00
200409WR203	9	16.00	18.00
200410WR203	10	18.00	20.00
200411WR203	11	20.00	22.00
200412WR203	12	22.00	24.00
200413WR203	13	24.00	26.00
200414WR203	14	26.00	28.00
200415WR203	15	28.00	30.00
200416WR203	16	30.00	32.00
200417WR203	17	32.00	34.00
200418WR203	18	34.00	36.00
200419WR203	19	36.00	38.00
200420WR203	20	38.00	40.00

NOTE:

1. Wafer Material: PBT UL94V-0
Pin/Pos Material: brass bronze.
2. Plated: Gold flash
3. Insulation resistance: 1000M Ω /min.
4. Withstand voltage: 1000V AC/minute.
5. Current rating: 2.5A AC/DC.
6. Voltage rating: 200V AC/DC

UNLESS OTHERWISE SPECIFIED TOLERANCES			
3 PLACE $\pm 0.5 \pm 0.10$			
2 PLACE $\pm 1.5 \pm 0.25$			
1 PLACE $\pm 2.0 \pm 0.50$			
ANGLE DIM			
REV.	REVISION		DIS DATE
SCALE	REV.	PAGE:	UNIT mm
4/1	A	1	THIRD ANGLE PROJECTION

EXCON
 EXCON TECHNOLOGY COMPANY

PART.NO
 2004xxWR203