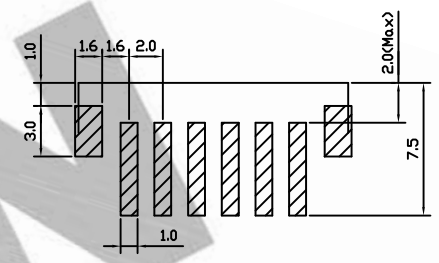
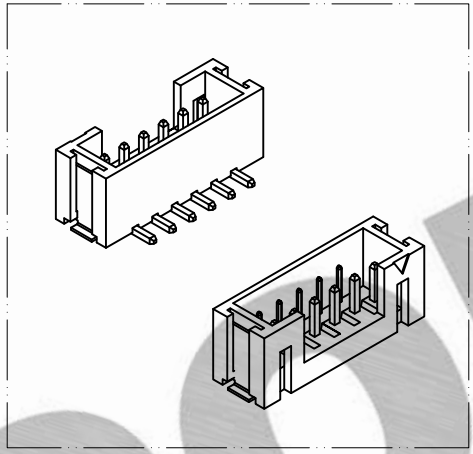
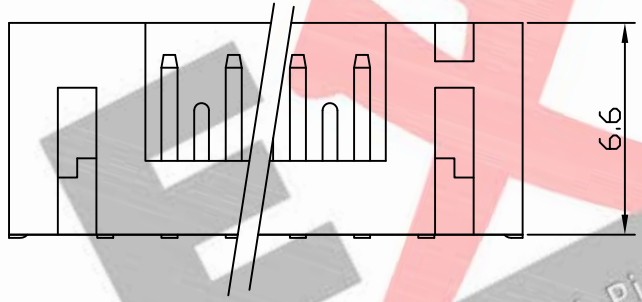
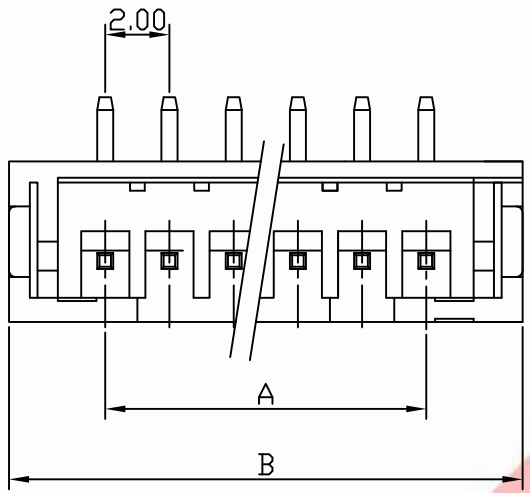
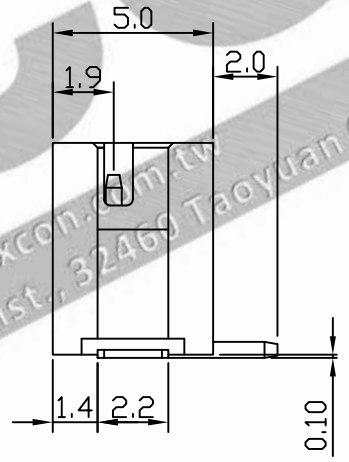


PART NO. 2001xxWD101
 DWG NO. C2001WD



RECOMMENDED PCB LAYOUT



Dimensional & Ordering Information:

Part No.	Circuits	Dim A	Dim B
200102WD101	2	2.0	7.95
200103WD101	3	4.0	9.95
200104WD101	4	6.0	11.95
200105WD101	5	8.0	13.95
200106WD101	6	10.0	15.95
200107WD101	7	12.0	17.95
200108WD101	8	14.0	19.95
200109WD101	9	16.0	21.95
200110WD101	10	18.0	23.95
200111WD101	11	20.0	25.95
200112WD101	12	22.0	27.95
200113WD101	13	24.0	29.95
200114WD101	14	26.0	31.95
200115WD101	15	28.0	33.95
200116WD101	16	30.0	35.95

NOTE:

1. Wafer Material: Nylon 6T UL94V-0
Pin/Pos Material: Brass bronze.
2. Plated: Tin-plated 50u"min.
3. Current rating: 3A AC/DC.
4. Voltage rating: 250V AC/DC
5. Withstand voltage: 800V AC/minute.
6. Insulation resistance: 1000MΩ min.
7. Color : Natural

				UNLESS OTHERWISE SPECIFIED TOLERANCES	
				3 PLACE ±0.5 ±0.10	
				2 PLACE ±1.5 ±0.35	
				1 PLACE ±2.0 ±0.50	
				ANGLE DIM	
REV.	REVISION		DIS	DATE	
SCALE	REV.	PAGE:	UNIT	mm	
4/1	A	1	THIRD ANGLE PROJECTION		
				DWG NO:	C2001WD

EXCON

EXCON TECHNOLOGY COMPANY

PART.NO

2001xxWD101