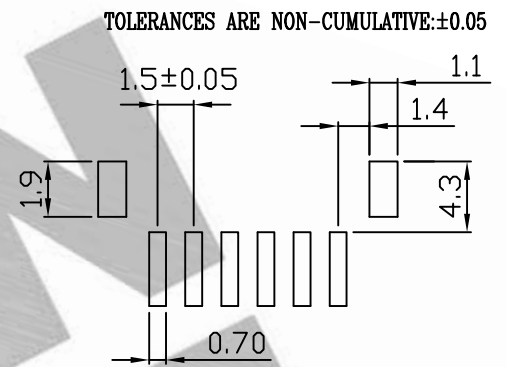
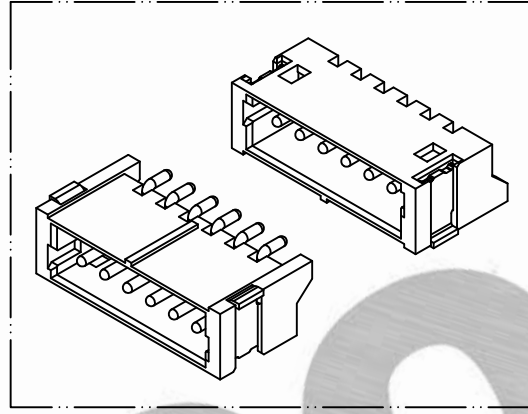
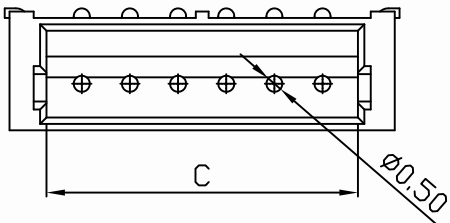
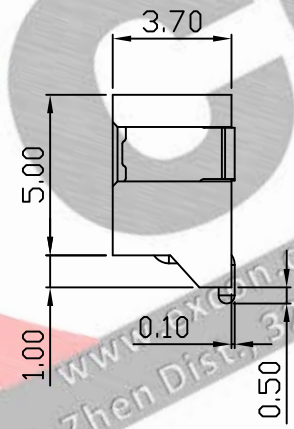
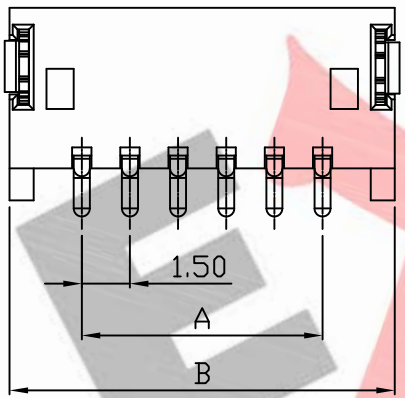


10 9 8 7 6 5 4 3 2 1

PART NO. 1501xxWE101
 DWG NO. C1501WE



TOLERANCES ARE NON-CUMULATIVE:±0.05
RECOMMENDED PCB LAYOUT
 (PCB THK=1.0~1.6)



Dimensional & Ordering Information:

Part No.	Circuits	Dim A	Dim B	Dim C
150102WE101	2	1.50	6.00	3.60
150103WE101	3	3.00	7.50	5.10
150104WE101	4	4.50	9.00	6.60
150105WE101	5	6.00	10.50	8.10
150106WE101	6	7.50	12.00	9.60
150107WE101	7	9.00	13.50	11.10
150108WE101	8	10.50	15.00	12.60
150109WE101	9	12.00	16.50	14.10
150110WE101	10	13.50	18.00	15.60
150111WE101	11	15.00	19.50	17.10
150112WE101	12	16.50	21.00	18.60
150113WE101	13	18.00	22.50	20.10
150114WE101	14	19.50	24.00	21.60
150115WE101	15	21.00	25.50	23.10

NOTE:

1. Wafer Material: 6T UL94V-0
Pin/Pos Material: brass bronze.
2. Plated: Tin-plated 50u"min.
3. Insulation resistance: 500MΩ min.
4. Withstand voltage: 500V AC/minute.
5. Current retang: 1A AC/DC.
6. Voltage rating: 100V AC/DC

				UNLESS OTHERWISE SPECIFIED TOLERANCES	
				3 PLACE ±0.5 ±0.10	
				2 PLACE ±1.5 ±0.25	
				1 PLACE ±2.0 ±0.50	
				ANGLE DIM	
REV.	REVISIONI			DIS	DATE
SCALE	REV.	PAGE:	UNIT	mm	
5/1	A	1	THIRD ANGLE PROJECTION		
				DWG NO: C1501WE	

EXCON

EXCON TECHNOLOGY COMPANY

PART.NO 1501xxWE101

10 9 8 7 6 5 4 3 2 1