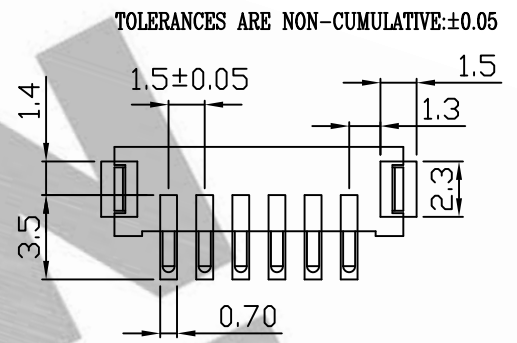
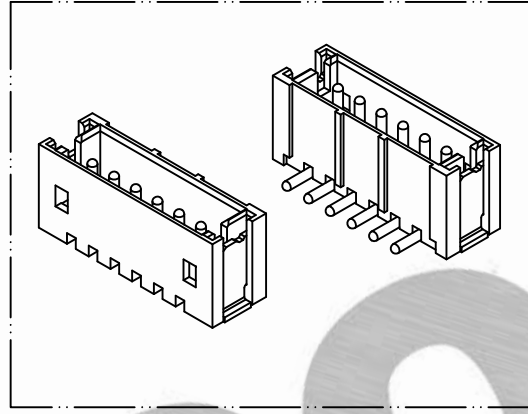
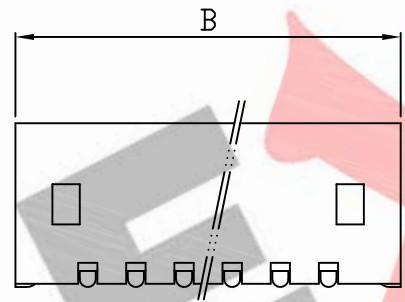
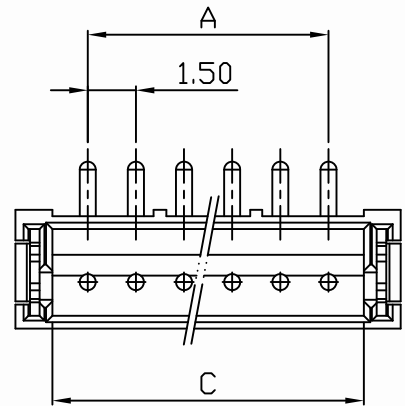
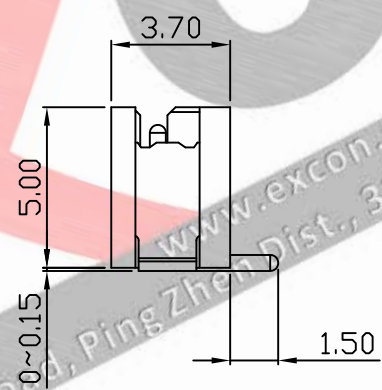


PART NO. 1501xxWD101
 DWG NO. C1501WD



RECOMMENDED PCB LAYOUT
 (PCB THK=1.0~1.6)



Dimensional & Ordering Information:

Part No.	Circuits	Dim A	Dim B	Dim C
150102WD101	2	1.50	6.00	3.60
150103WD101	3	3.00	7.50	5.10
150104WD101	4	4.50	9.00	6.60
150105WD101	5	6.00	10.50	8.10
150106WD101	6	7.50	12.00	9.60
150107WD101	7	9.00	13.50	11.10
150108WD101	8	10.50	15.00	12.60
150109WD101	9	12.00	16.50	14.10
150110WD101	10	13.50	18.00	15.60
150111WD101	11	15.00	19.50	17.10
150112WD101	12	16.50	21.00	18.60
150113WD101	13	18.00	22.50	20.10
150114WD101	14	19.50	24.00	21.60
150115WD101	15	21.00	25.50	23.10

NOTE:

1. Wafer Material: 6T UL94V-0
Pin/Pos Material: brass bronze.
2. Plated: Tin-plated 50u"min.
3. Insulation resistance: 500MΩ min.
4. Withstand voltage: 500V AC/minute.
5. Current rating: 1A AC/DC.
6. Voltage rating: 100V AC/DC

UNLESS OTHERWISE SPECIFIED TOLERANCES			
3 PLACE ±0.5 ±0.10			
2 PLACE ±1.5 ±0.25			
1 PLACE ±2.0 ±0.50			
ANGLE DIM			
REV.	REVISION		DIS DATE
SCALE	REV.	PAGE:	UNIT mm
5/1	A	1	THIRD ANGLE PROJECTION
DWG NO:			C1501WD

EXCON
 EXCON TECHNOLOGY COMPANY

PART.NO
 1501xxWD101