



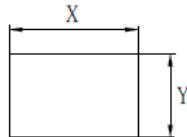
Double-Pole and Single-Pole Rocker Power Switches

Approval & Rating:

Rating	Approval
16(4)A 250VAC~T125/55	
6A 125/250VAC~T125/85 10A 125/250VAC~T125/85 12A 125/250VAC~T125/85 16(4)A 250VAC~T125/85	



PANEL CUTOUT DIMENSION:
(面板安裝孔開口尺寸)



Electrical(電氣性能):

(接觸電阻) INITIAL CONTACT RESISTANCE: 20Ω Max

(操作力量) OPERATION FORCE: 500±200gf

(絕緣電阻) INSULATION RESISTANCE: 100mΩ Min 500VDC

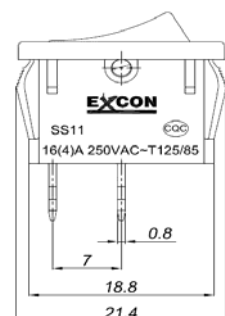
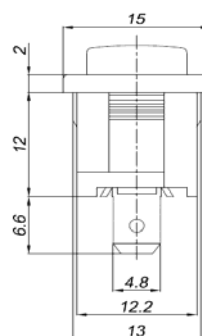
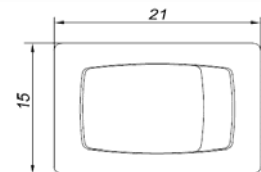
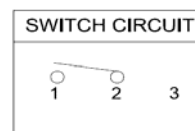
(電氣壽命) ENDURANCE: 10,000 CYCLES

PANEL THICKNESS	X	Y
0.75~1.25mm	19.2 ^{+0.0} _{-0.1} mm	12.9 ^{+0.1} _{-0.0} mm
1.25~2.0mm	19.4 ^{+0.0} _{-0.1} mm	12.9 ^{+0.1} _{-0.0} mm
2.0~3.0mm	19.8 ^{+0.0} _{-0.1} mm	12.9 ^{+0.1} _{-0.0} mm

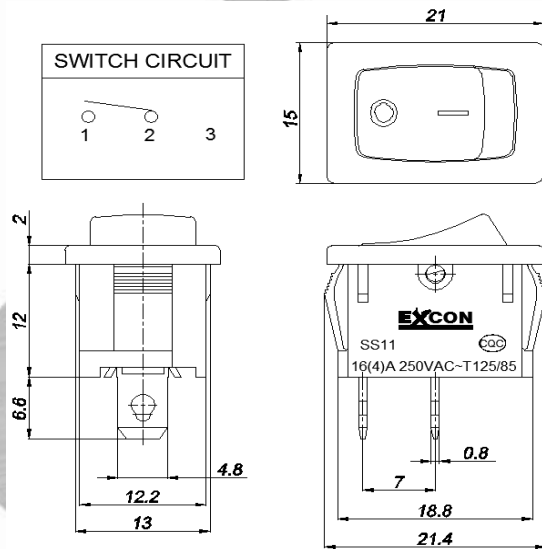
SPEC DRAWING(規格圖面)

Unit: mm

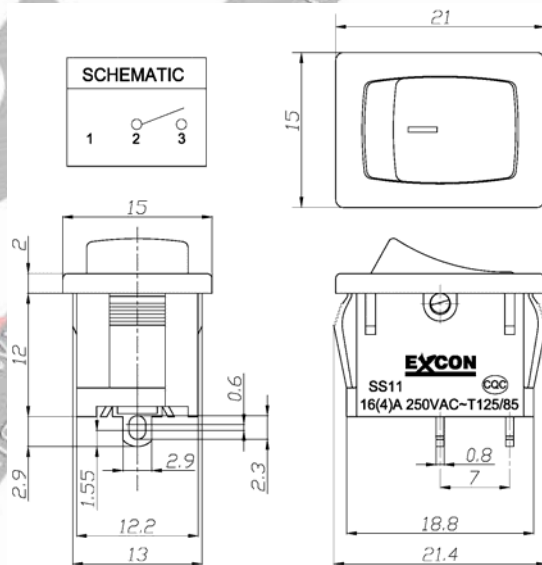
SS11-BBNNQ-R20-R



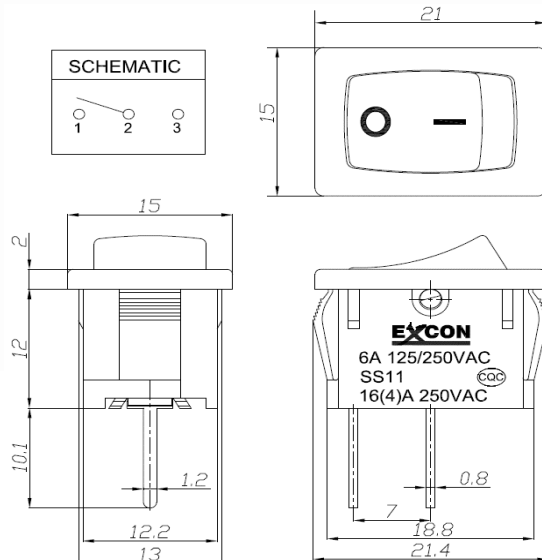
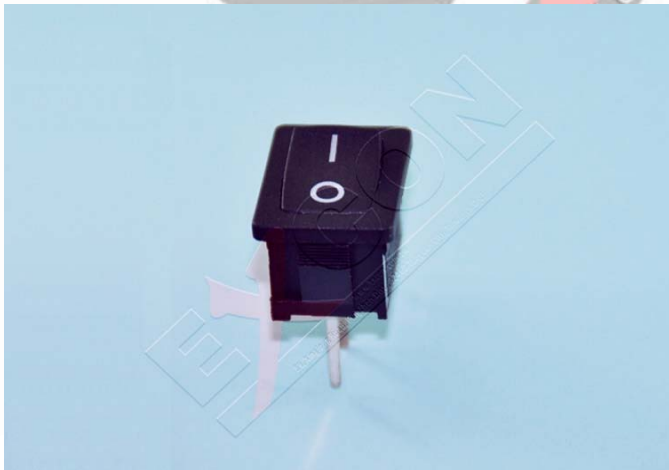
SS11-WEIBC2-R20-R



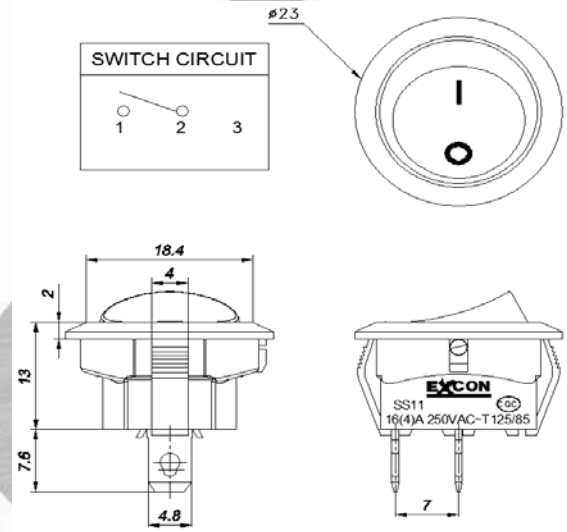
SS11-BBAWA-R23-R



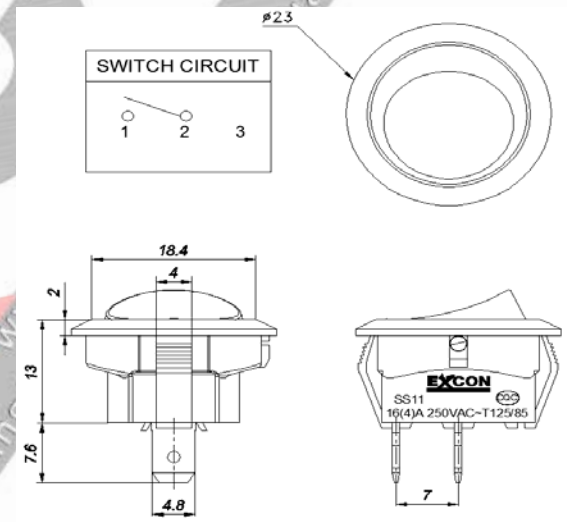
SS11-BBIWP-R20-R



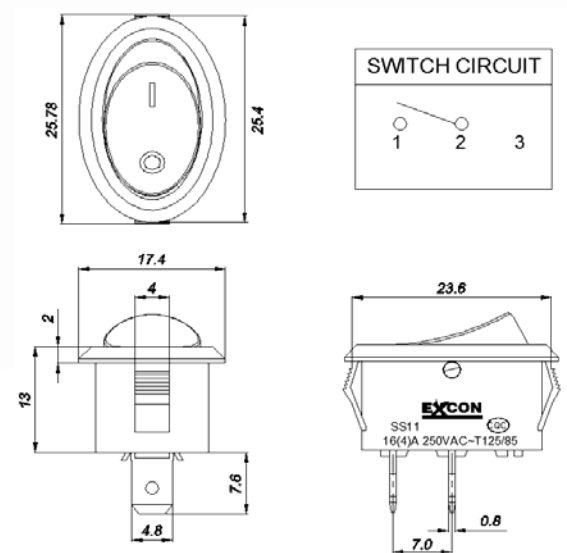
SS11-BBIWG-RR20-R



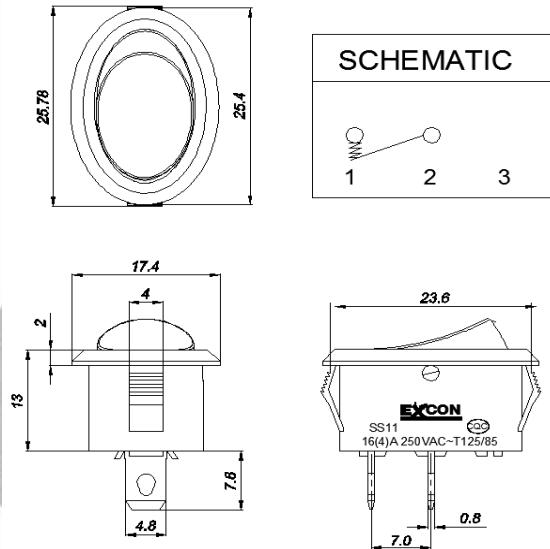
SS11-RBNNQ-RR20-R



SS11-BBIWQ-RE20-R



SS11-EENNG-RE22-R



89, Xing Long Road, Ping Zhen Dist., 32460 Taoyuan
www.excon.com.tw

HOW TO ORDER(採購識別碼)

SS11 SERIES ORDERING SYSTEM

