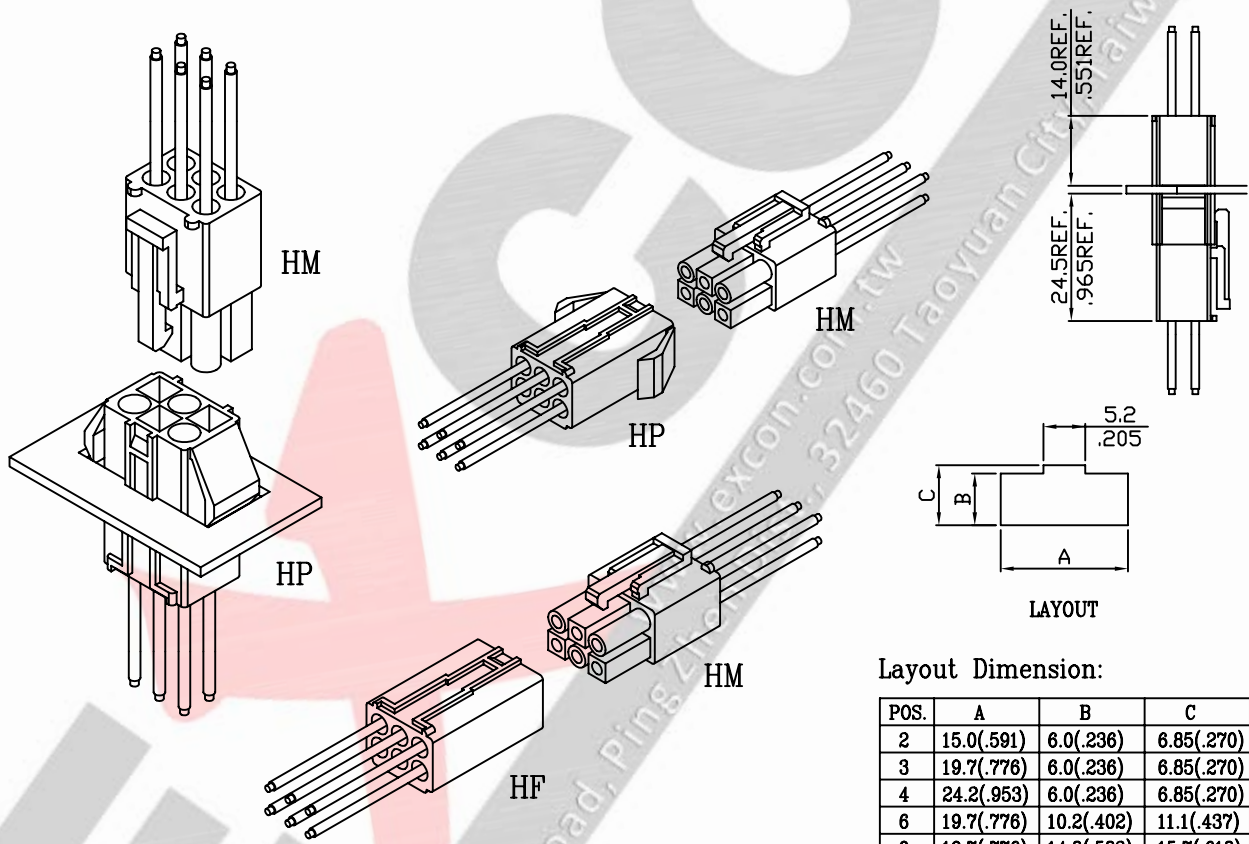


■ Specification

1. Current rating: 5A
2. Voltage rating: 600V
3. Withstand voltage: 1500V AC/minute
4. Insulation resistance: 1000M Ω min
5. Contact resistance: 10m Ω max
6. Temperature range: -25°C to $+105^{\circ}\text{C}$
7. Applicable panel thickness: 0.8~2.0mm
8. Applicable wires: AWG#26-#16
Insulation O.D.: 1.5-3.5mm
9. Circuits: 2,3,4,A4,6,9,12,15



Part Code Information:

6603-WW XX YYY

① ② ③ ④

① Series Name

② Circuits Number
2,3,4,A4,6,9,12,15
00 For Terminal

③ Product Type

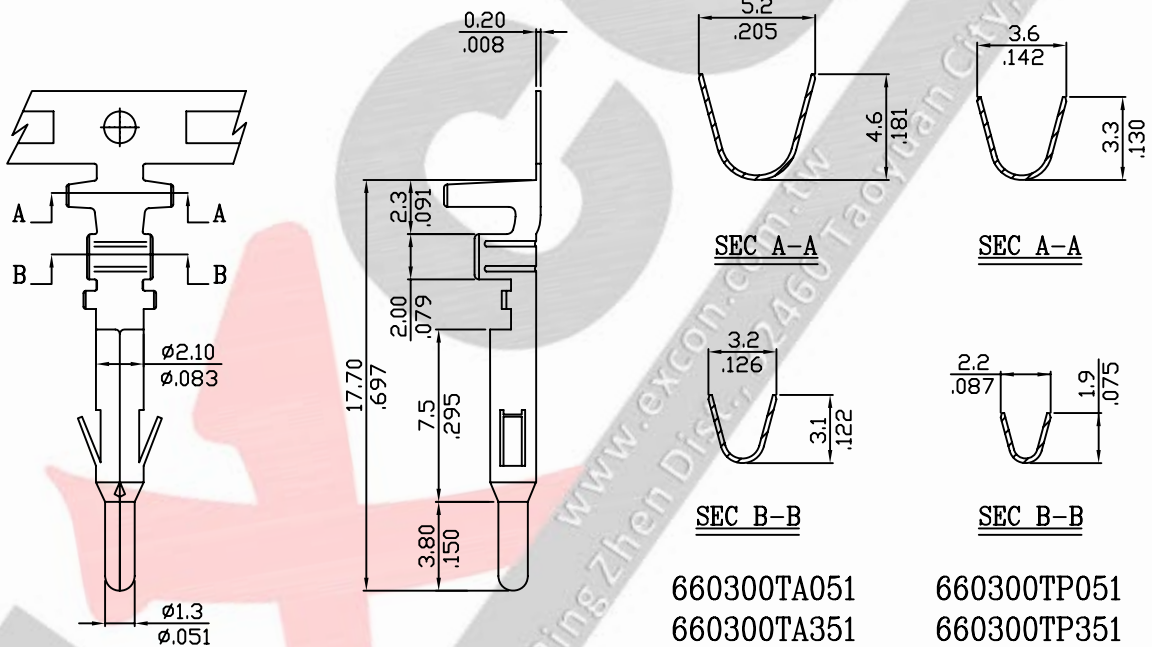
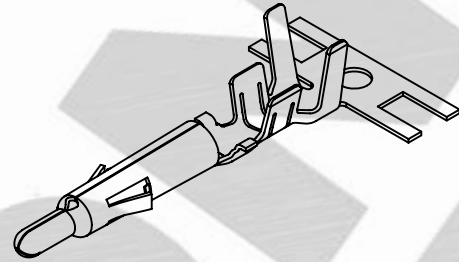
HF=Female housing,Free hanging
HP=Female housing,Panel mount
HM=Male housing,Free hanging
TA=Terminal,A type
TP=Terminal,P type
TB=Terminal,B type
TM=Terminal,M type

④ Material/Finishing/Color

051=Brass bronze,Tin Pre-Plated
351=Phosphor,Tin Pre-Plated
001=NY66 UL94V0,Natural Color

Crimp Terminal

1. Part No.: 660300TA051 660300TA351
and 660300TP051 660300TP351
2. Part Name: 6603 Terminal
3. Material: Brass/Phosphor bronze
4. Finishing: Tin pre-plated



660300TA051
660300TA351

660300TP051
660300TP351

Ordering Information and Dimension:

Part No.	Wire Range	Insulation O.D.	Material	Finishing	Q'ty/reel
660300TA051	AWG#20~#16	1.9-3.4mm	Brass	Tin pre-plated	4,000pcs
660300TP051	AWG#20~#26	1.3-2.7mm			6,000pcs
660300TA351	AWG#20~#16	1.9-3.4mm	Phosphor		4,000pcs
660300TP351	AWG#20~#26	1.3-2.7mm			6,000pcs

Part Code Information:

6603-WW XX YY

① ② ③ ④

① Series Name

② Circuits Number

00 For Terminal

③ Product Type

TA=Terminal, A type

TP=Terminal, P type

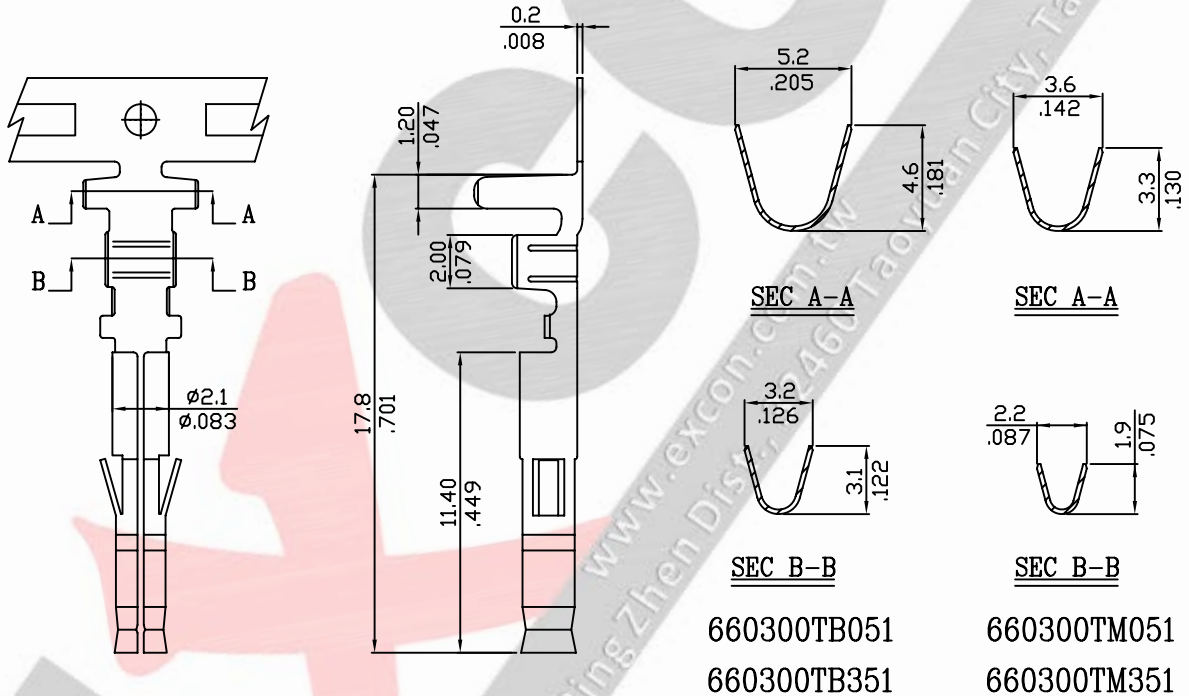
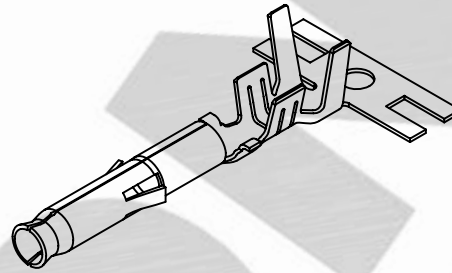
④ Material/Finishing/Color

051=Brass,Tin Pre-Plated

351=Phosphor,Tin Pre-Plated

Crimp Terminal

- Part No.: 660300TB051 6603TB351
and 660300TM051 660300TM351
- Part Name: 6603 Terminal
- Material: Brass/Phosphor bronze
- Finishing: Tin pre-plated



Ordering Information and Dimension:

Part No.	Wire Range	Insulation O.D.	Material	Finishing	Q'ty/reel
660300TB051	AWG#20~#16	1.9-3.4mm	Brass	Tin pre-plated	4,000pcs
660300TM051	AWG#20~#26	1.3-2.7mm			6,000pcs
660300TB351	AWG#20~#16	1.9-3.4mm	Phosphor	Tin pre-plated	4,000pcs
660300TM351	AWG#20~#26	1.3-2.7mm			6,000pcs

Part Code Information:

6603-WW XX YYY

① ② ③ ④

① Series Name

② Circuits Number

00 For Terminal

③ Product Type

TB=Terminal, B type

TM=Terminal, M type

④ Material/Finishing/Color

051=Brass,Tin Pre-Plated

351=Phosphor,Tin Pre-Plated

Housing (Female)

1. Parts NO: 6603xxHF001 and 6603xxHP001
2. Part Name: 6603 Housing, Female
3. Material: Nylon 66 UL 94V0
4. Color: Natural

Housing (Male)

1. Parts NO: 6603xxHM001
2. Part Name: 6603 Housing ,Male
3. Material: Nylon 66 UL 94V0
4. Color: Natural

Circuits	Dimensional Information		
	Female		Male
2	<p>660302HF001</p>	<p>660302HP001</p>	<p>660302HM001</p>
3	<p>660303HF001</p>	<p>660303HP001</p>	<p>660303HM001</p>

Part Code Information:

6603-WW XX YY

① ② ③ ④

① Series Name

② Circuits Number

2,3,4,A4,6,9,12,15 Circuits

③ Product Type

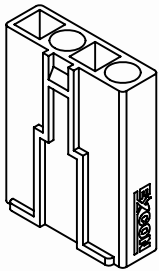
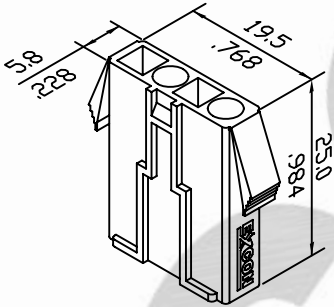
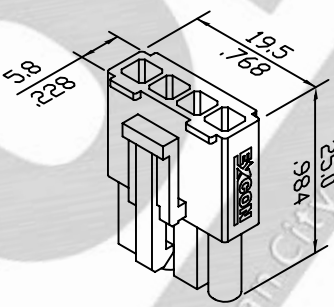
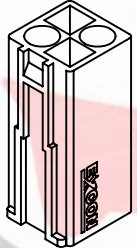
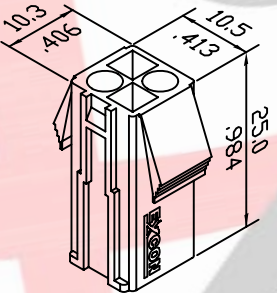
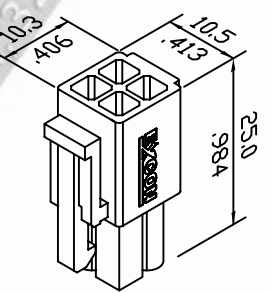
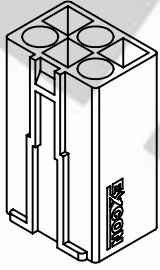
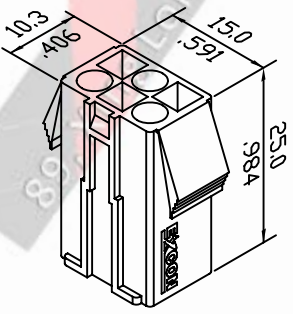
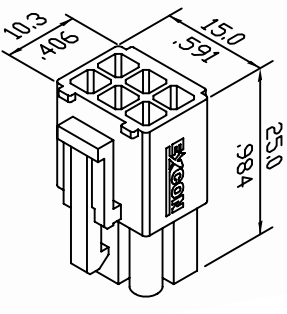
HF=Female housing, Free hanging

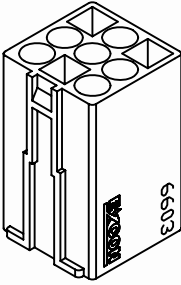
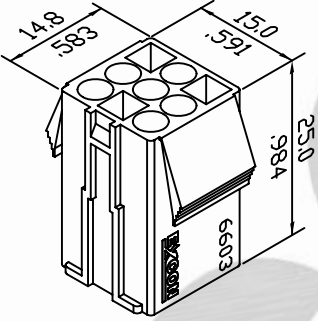
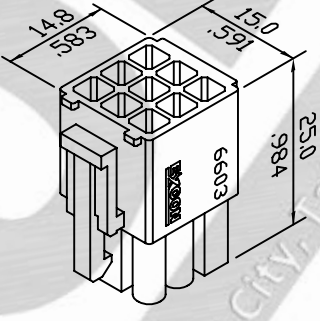
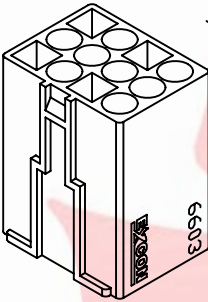
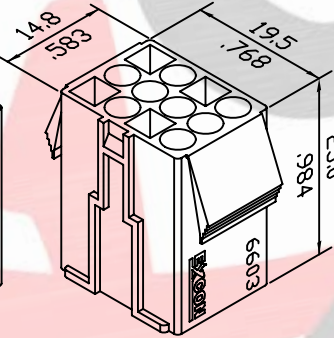
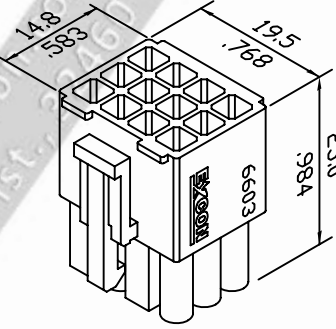
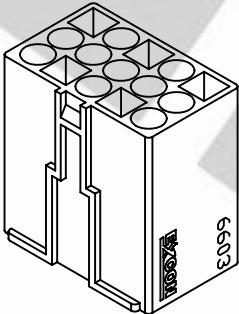
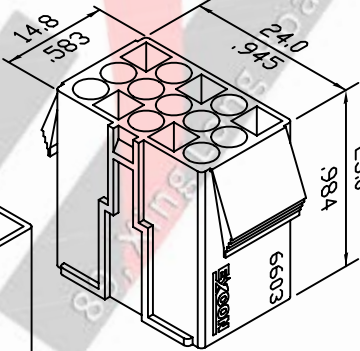
HP=Female housing, Panel mount

HM=Male housing, Free hanging

④ Material/Finishing/Color

001=NY66 UL94V0, Natural Color

Circuits	Dimensional Information		
	Female		Male
4	<p>660304HF001</p> 	<p>660304HP001</p> 	<p>660304HM001</p> 
A4	<p>6603A4HF001</p> 	<p>6603A4HP001</p> 	<p>6603A4HM001</p> 
6	<p>660306HF001</p> 	<p>660306HP001</p> 	<p>660306HM001</p> 

Circuits	Dimensional Information		
	Female		Male
9	<p>660309HF001</p> 	<p>660309HP001</p> 	<p>660309HM001</p> 
12	<p>660312HF001</p> 	<p>660312HP001</p> 	<p>660312HM001</p> 
15	<p>660315HF001</p> 	<p>660315HP001</p> 	<p>660315HM001</p> 