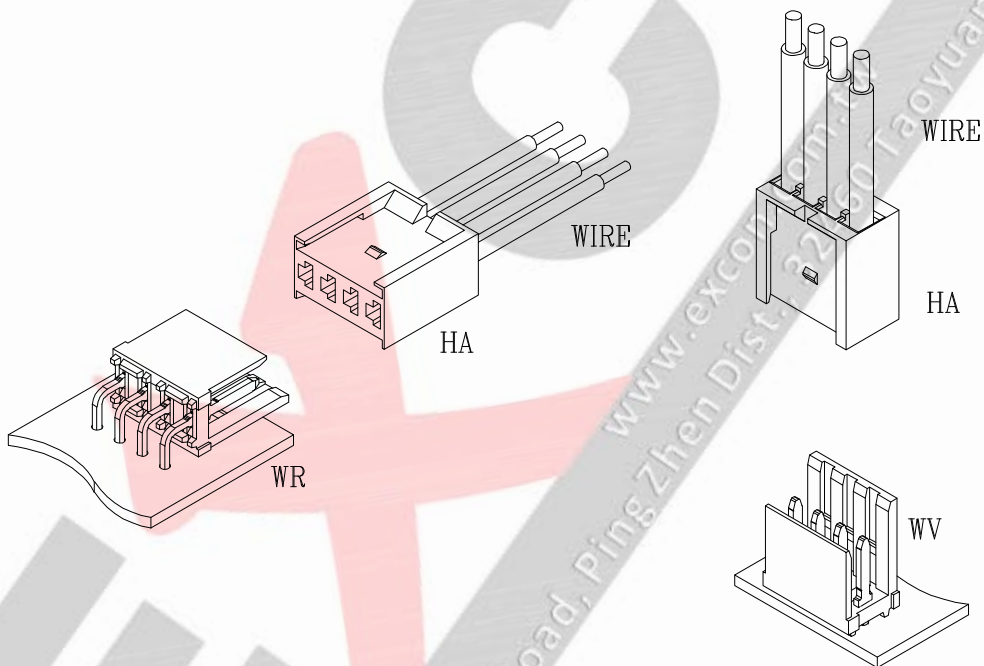


■ Specifications

- | | |
|--|--|
| 1. Current rating: 5A AC/DC | (including temperature rise) |
| 2. Voltage rating: 250V AC/DC | 7. Applicable PC board thickness:
0.8~1.6mm(.032'' to .063'') |
| 3. Withstand voltage: 1500V AC/minute | 8. Applicable wires: AWG#26-#22
Insulation O.D.: 0.9-1.55mm |
| 4. Insulation resistance: 1000M Ω min | 9. Circuits: 2~12 circuits available |
| 5. Contact resistance: 10m Ω max | |
| 6. Temperature range: -40°C to +105°C | |



Part Code Information:

3971-WW XX YYY

① ② ③ ④

① Series Name

② Circuits Number

02~12

00 For Terminal

③ Product Type

HA=Housing

WV=Wafer (Vertical type)

WR=Wafer (Right angle type)

TC=Terminal

④ Material/Finishing/Color

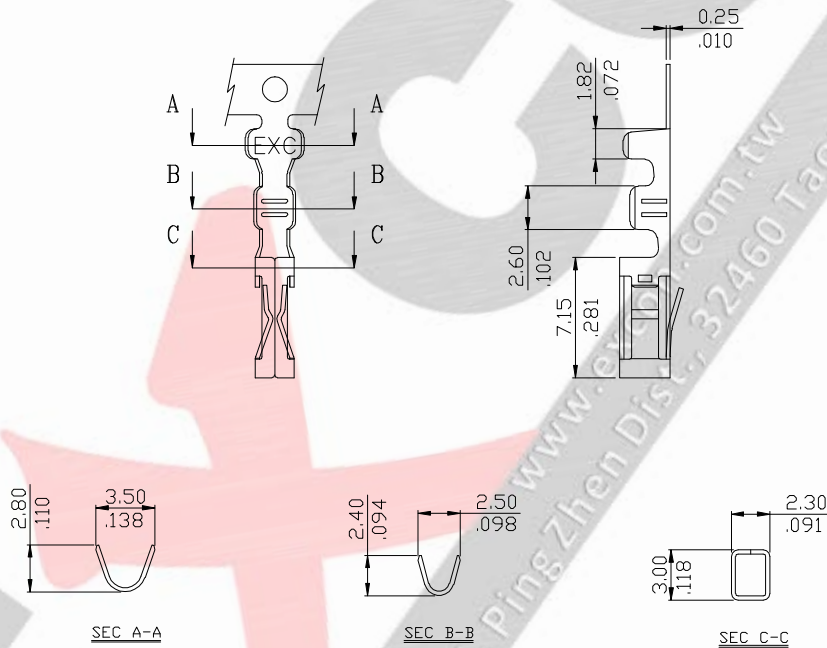
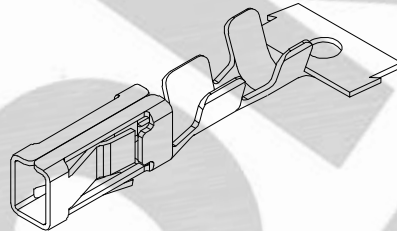
351=Phosphor,Tin Pre-Plated

351=Phosphor,Tin Pre-Plated

558=PC UL94V0, Green Color

Crimp Terminal

1. Part No.: 397100TC351,397100TC051
2. Part Name: 3971 Terminal
3. Material: phosphor bronze, Brass
4. Plated: Tin pre-plated
5. Q'ty / reel: 7,000 pcs



Ordering Information and Dimensions:

Part No.	Wire Range	Insulation O.D.	Material	Finish	Q'ty/reel
397100TC351	AWG#26~#22	0.9-1.55mm	Phosphor	Tin pre-plated	7,000pcs
397100TC051	AWG#26~#22	0.9-1.55mm	Brass	Tin pre-plated	7,000pcs

Part Code Information:

3971-WW XX YY

① ② ③ ④

① Series Name

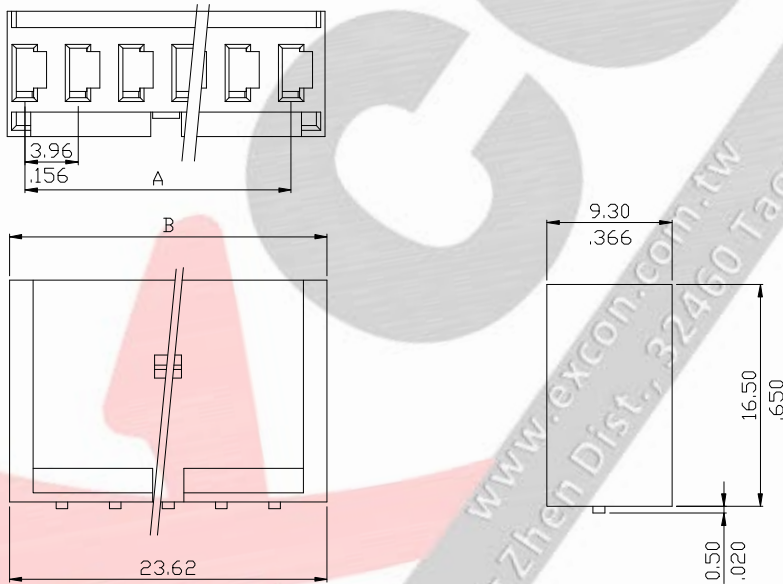
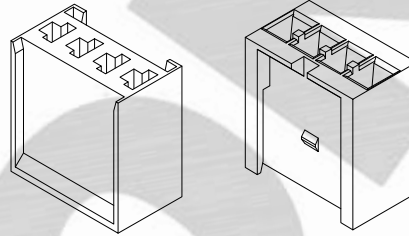
② Circuits Number
00 For Terminal

③ Product Type
TC=Terminal

④ Material/Finishing/Color
351=Phosphor,Tin Pre-Plated
051=Brass,Tin Pre-Plated

Housing

1. Part No.: 3971xxHA208
2. Part Name: 3971 Housing
3. Material: PBT UL 94V0
4. Color: Green



Ordering Information and Dimensions:

Part No.	Circuits	Dim A	Dim B	Part No.	Circuits	Dim A	Dim B
397102HA208	2	3.96(.156)	7.78(.306)	397108HA208	8	27.72(1.091)	31.54(1.242)
397104HA208	4	11.88(.468)	15.70(.618)	397110HA208	10	35.64(1.403)	39.46(1.554)
397106HA208	6	19.80(.780)	23.62(.930)	397112HA208	12	43.56(1.715)	47.38(1.865)

Part Code Information:

3971-WW XX YY

① ② ③ ④

① Series Name

② Circuits Number

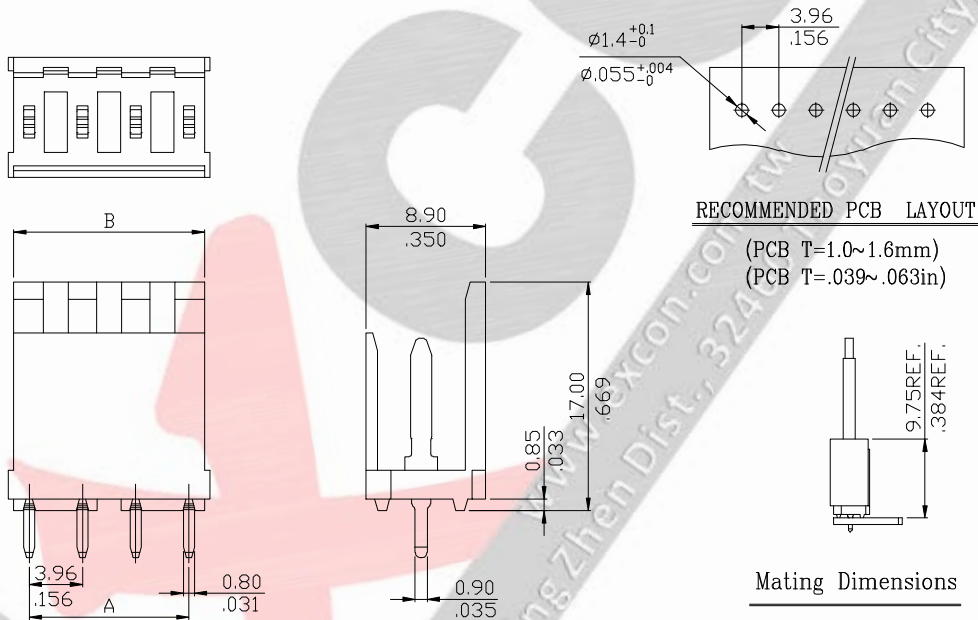
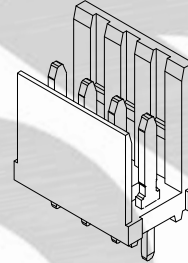
02~12

③ Product Type
HA=Housing

④ Material/Finishing/Color
208=PBT UL94V0, Black Color

Wafer (Vertical type)

1. Part No.: 3971xxWV558
2. Part Name: 3971 Wafer
3. Material: PC UL 94V0
Pin: Brass bronze, Plated tin
4. Color: Green



Ordering Information and Dimensions:

Part No.	Circuits	Dim A	Dim B	Part No.	Circuits	Dim A	Dim B
397102WV558	2	3.96(.156)	6.28(.247)	397108WV558	8	27.72(1.091)	30.04(1.183)
397104WV558	4	11.88(.468)	14.20(.559)	397110WV558	10	35.64(1.403)	37.96(1.494)
397106WV558	6	19.80(.780)	22.12(.871)	397112WV558	12	43.56(1.715)	45.88(1.806)

Part Code Information:

3971-WW XX YYY

① ② ③ ④

① Series Name

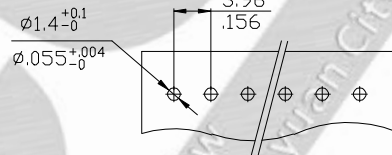
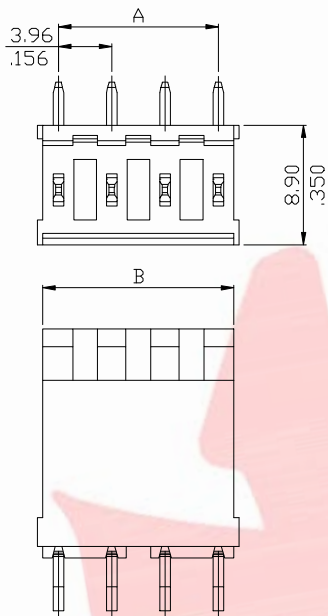
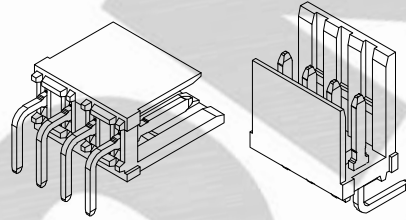
② Circuits Number
02~12

③ Product Type
WV=Wafer (Vertical type)

④ Material/Finishing/Color
558=PC UL94V0, Green Color

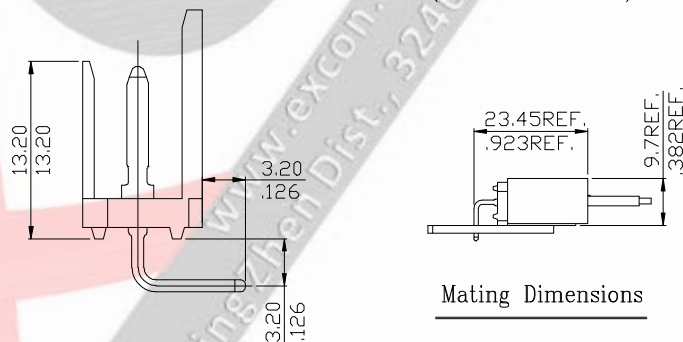
Wafer (Right angle type)

1. Part No.: 3971xxWR558
2. Part Name: 3971 Wafer
3. Material: PC UL 94V0
Pin: Brass bronze, Plated tin
4. Color: Green



RECOMMENDED PCB LAYOUT

(PCB T=1.0~1.6mm)
(PCB T=.039~.063in)



Mating Dimensions

Ordering Information and Dimensions:

Part No.	Circuits	Dim A	Dim B	Part No.	Circuits	Dim A	Dim B
397102WR558	2	3.96(.156)	6.28(.247)	397108WR558	8	27.72(1.091)	30.04(1.183)
397104WR558	4	11.88(.468)	14.20(.559)	397110WR558	10	35.64(1.403)	37.96(1.494)
397106WR558	6	19.80(.780)	22.12(.871)	397112WR558	12	43.56(1.715)	45.88(1.806)

Part Code Information:

3971-WR XX YY

① ② ③ ④

① Series Name

② Circuits Number
02~12

③ Product Type
WR=Wafer (Right angle type)

④ Material/Finishing/Color
558=PC UL94V0, Green Color