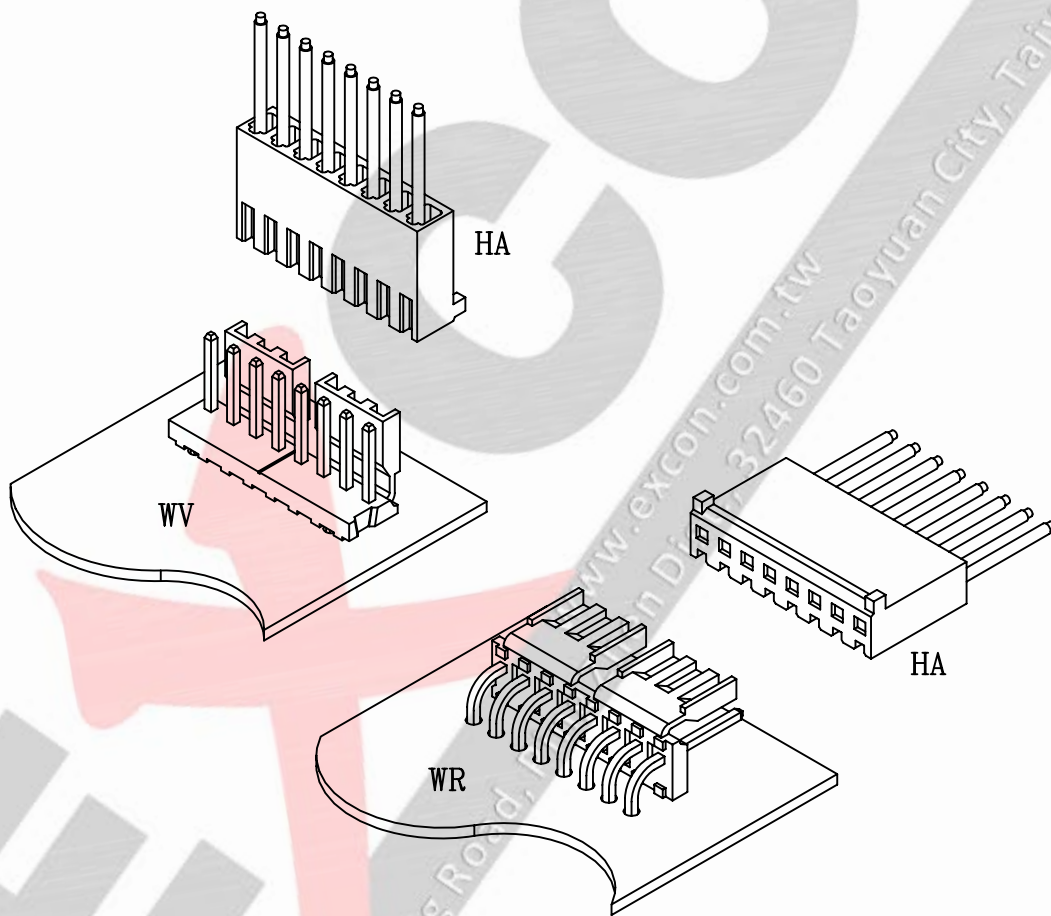


■ Specifications

1. Current rating: 5A AC/DC
2. Voltage rating: 250V AC/DC
3. Withstand voltage: 1000V AC/minute
4. Insulation resistance: 1000M Ω min
5. Contact resistance: 10m Ω max
6. Temperature range: -25°C to +105°C
7. Applicable PC board thickness: 1.0~1.6mm(.039" to .063")
8. Applicable wires: AWG#26-#18
Insulation O.D.: 1.3-2.8mm
9. Circuits: 2~24 circuits available



Part Code Information:

3968-WW XX YY

① ② ③ ④

① Series Name

② Circuits Number

02~24

00 For Terminal

③ Product Type

HA=Housing, A type

HB=Housing, B type

HC=Housing, C type

WV=Wafer (Vertical type)

WR=Wafer (Right angle type)

TC=Terminal

④ Material/Finishing/Color

051=Brass,Tin Pre-Plated

301=Phosphor,Tin Plated

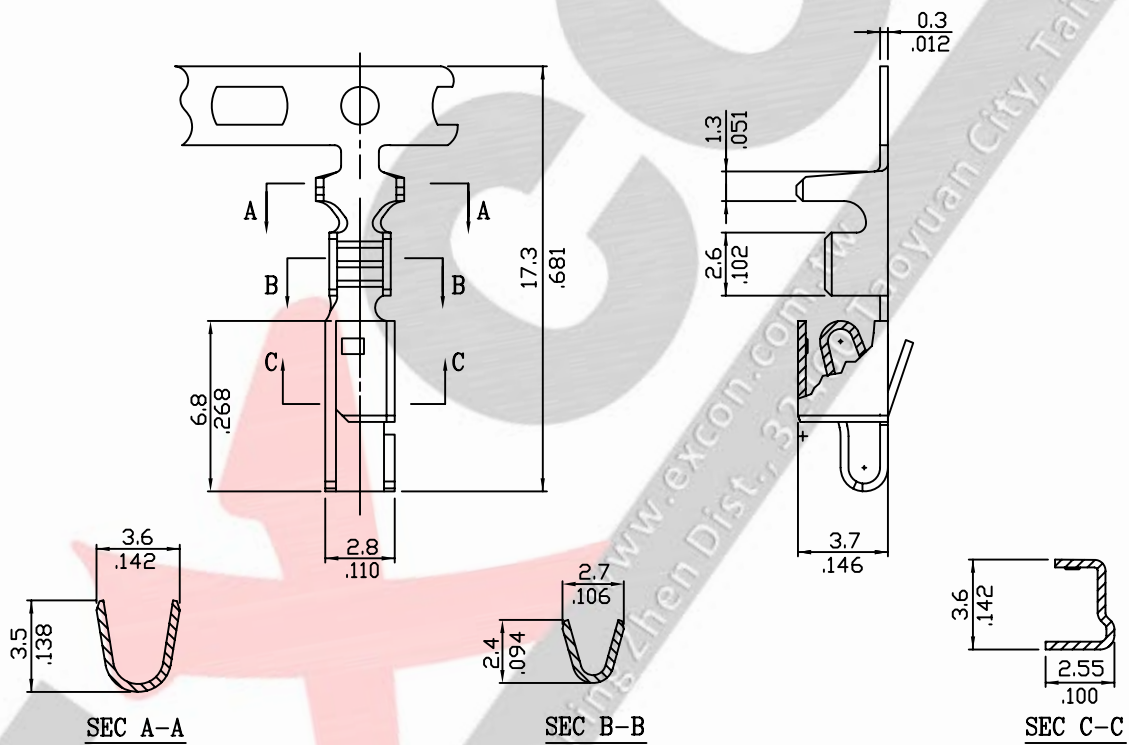
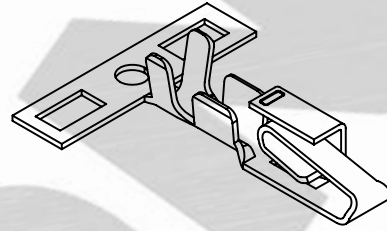
351=Phosphor,Tin Pre-Plated

001=Nylon 66 UL 94V0,Natural Color

201=PBT UL94V0,Natural Color

Crimp Terminal

1. Part No.: 396800TC051 ,396800TC301 and 396800TC351
2. Part Name: 3968 Terminal
3. Material: Brass ,Phosphor
4. Finishing: Tin pre-plated



Ordering Information and Dimensions:

Part No.	Wire Range	Insulation O.D.	Material	Finishing	Q'ty/reel
396800TC051	AWG#26~#18	1.3-2.8mm	Brass	Tin pre-plated	6,000pcs
396800TC301	AWG#26~#18	1.3-2.8mm	Phosphor	Tin plated	6,000pcs
396800TC351	AWG#26~#18	1.3-2.8mm	Phosphor	Tin pre-plated	6,000pcs

Part Code Information:

3968-WW XX YYY

① ② ③ ④

① Series Name

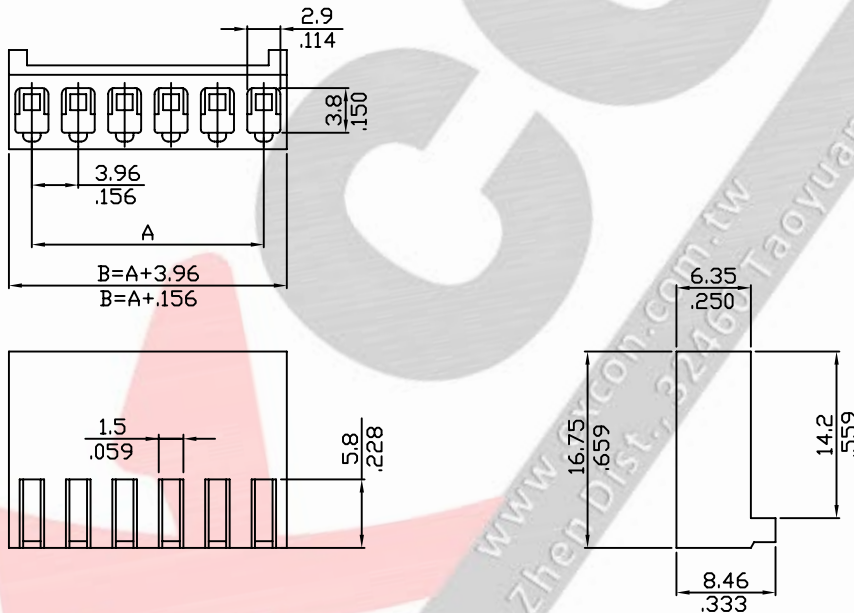
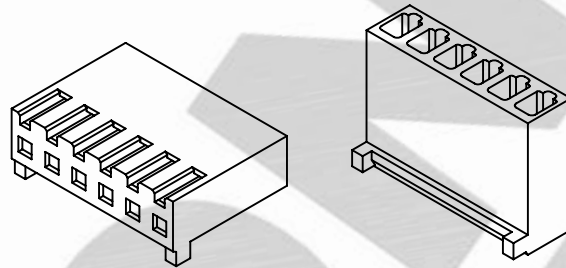
② Circuits Number
00 For Terminal

③ Product Type
TC=Terminal

④ Material/Finishing/Color
051=Brass,Tin Pre-Plated
301=Phosphor,Tin Plated
351=Phosphor,Tin Pre-Plated

Housing

1. Part No.: 3968xxHA001
2. Part Name: 3968 Housing
3. Material: Nylon 66 UL 94V0
4. Color: Natural



Ordering Information and Dimensions:

Part No.	Circuits	Dim A	Part No.	Circuits	Dim A	Part No.	Circuits	Dim A
396802HA001	2	3.96(.156)	396810HA001	10	35.64(1.403)	396818HA001	18	67.32(2.650)
396803HA001	3	7.92(.312)	396811HA001	11	39.60(1.559)	396819HA001	19	71.28(2.806)
396804HA001	4	11.88(.468)	396812HA001	12	43.56(1.715)	396820HA001	20	75.24(2.962)
396805HA001	5	15.84(.624)	396813HA001	13	47.52(1.871)	396821HA001	21	79.20(3.118)
396806HA001	6	19.80(.780)	396814HA001	14	51.48(2.027)	396822HA001	22	83.16(3.274)
396807HA001	7	23.76(.935)	396815HA001	15	55.44(2.183)	396823HA001	23	87.12(3.430)
396808HA001	8	27.72(1.091)	396816HA001	16	59.40(2.339)	396824HA001	24	91.08(3.586)
396809HA001	9	31.68(1.247)	396817HA001	17	63.36(2.494)			

Part Code Information:

3968-WW XX YYY

① ② ③ ④

① Series Name

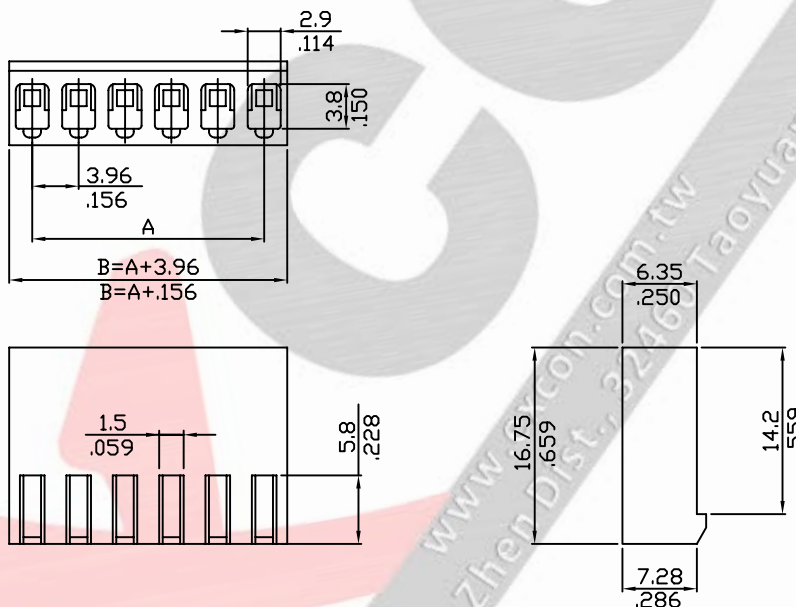
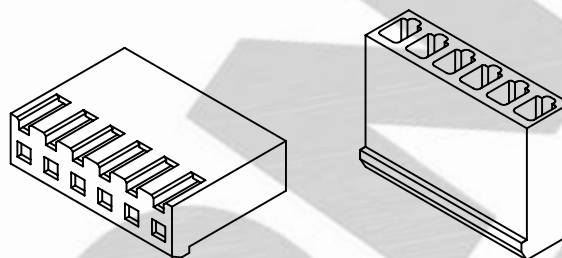
② Circuits Number
02~24

③ Product Type
HA=Housing

④ Material/Finishing/Color
001=Nylon 66 UL 94V0,Natural Color

Housing

1. Part No.: 3968xxHB001
2. Part Name: 3968 Housing
3. Material: Nylon 66 UL 94V0
4. Color: Natural



Ordering Information and Dimensions:

Part No.	Circuits	Dim A	Part No.	Circuits	Dim A	Part No.	Circuits	Dim A
396802HB001	2	3.96(.156)	396810HB001	10	35.64(1.403)	396818HB001	18	67.32(2.650)
396803HB001	3	7.92(.312)	396811HB001	11	39.60(1.559)	396819HB001	19	71.28(2.806)
396804HB001	4	11.88(.468)	396812HB001	12	43.56(1.715)	396820HB001	20	75.24(2.962)
396805HB001	5	15.84(.624)	396813HB001	13	47.52(1.871)	396821HB001	21	79.20(3.118)
396806HB001	6	19.80(.780)	396814HB001	14	51.48(2.027)	396822HB001	22	83.16(3.274)
396807HB001	7	23.76(.935)	396815HB001	15	55.44(2.183)	396823HB001	23	87.12(3.430)
396808HB001	8	27.72(1.091)	396816HB001	16	59.40(2.339)	396824HB001	24	91.08(3.586)
396809HB001	9	31.68(1.247)	396817HB001	17	63.36(2.494)			

Part Code Information:

3968-WW XX YYY

① ② ③ ④

① Series Name

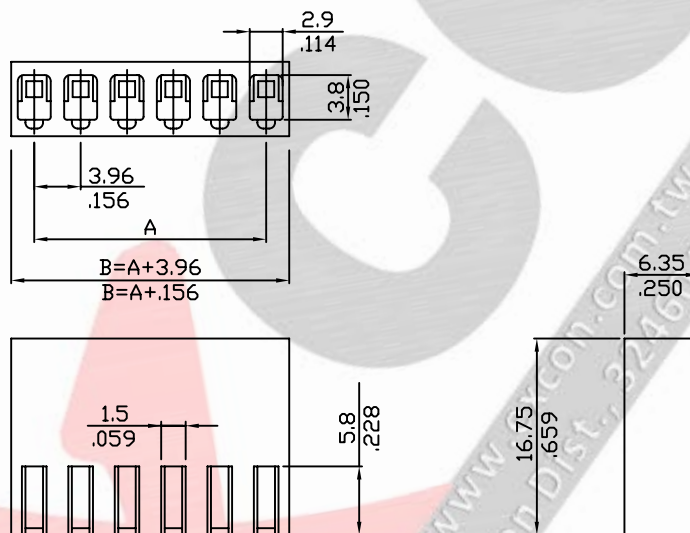
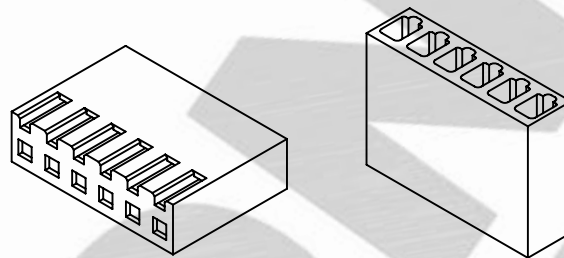
② Circuits Number
02~24

③ Product Type
HB=Housing

④ Material/Finishing/Color
001=Nylon 66 UL 94V0,Natural Color

Housing

1. Part No.: 3968xxHC001
2. Part Name: 3968 Housing
3. Material: Nylon 66 UL 94V0
4. Color: Natural



Ordering Information and Dimensions:

Part No.	Circuits	Dim A	Part No.	Circuits	Dim A	Part No.	Circuits	Dim A
396802HC001	2	3.96(.156)	396810HC001	10	35.64(1.403)	396818HC001	18	67.32(2.650)
396803HC001	3	7.92(.312)	396811HC001	11	39.60(1.559)	396819HC001	19	71.28(2.806)
396804HC001	4	11.88(.468)	396812HC001	12	43.56(1.715)	396820HC001	20	75.24(2.962)
396805HC001	5	15.84(.624)	396813HC001	13	47.52(1.871)	396821HC001	21	79.20(3.118)
396806HC001	6	19.80(.780)	396814HC001	14	51.48(2.027)	396822HC001	22	83.16(3.274)
396807HC001	7	23.76(.935)	396815HC001	15	55.44(2.183)	396823HC001	23	87.12(3.430)
396808HC001	8	27.72(1.091)	396816HC001	16	59.40(2.339)	396824HC001	24	91.08(3.586)
396809HC001	9	31.68(1.247)	396817HC001	17	63.36(2.494)			

Part Code Information:

3968-WW XX YYY

① ② ③ ④

① Series Name

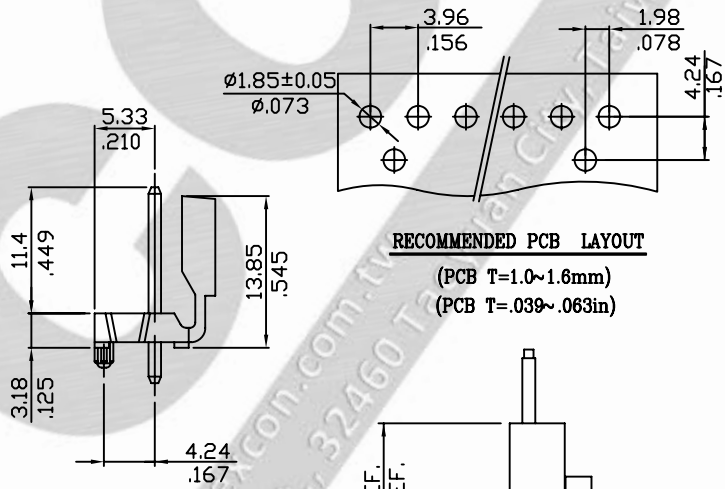
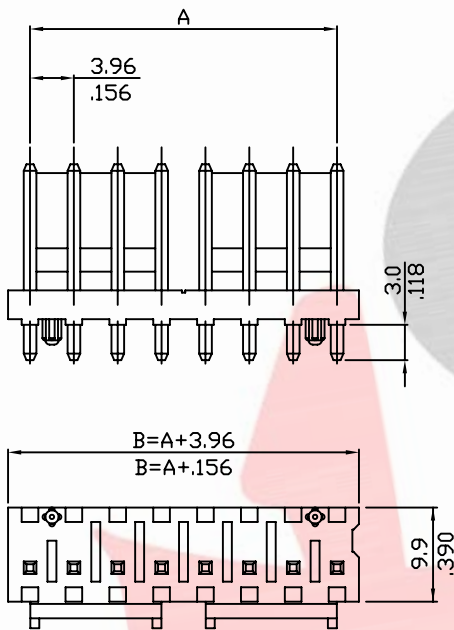
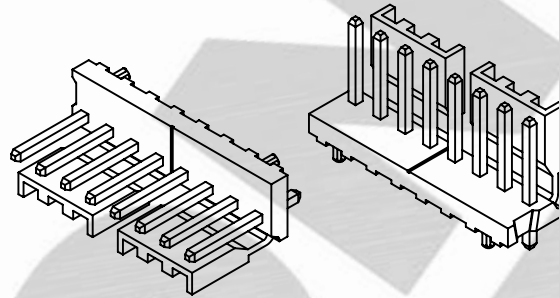
② Circuits Number
02~24

③ Product Type
HC=Housing

④ Material/Finishing/Color
001=Nylon 66 UL 94V0,Natural Color

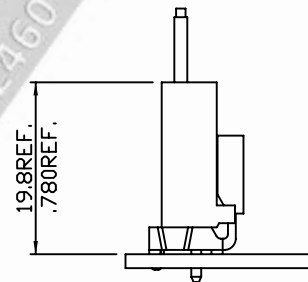
Wafer (Vertical type)

1. Part No.: 3968xxWV201
2. Part Name: 3968 Wafer
3. Material: P.B.T UL94V0
Pin: Brass bronze, Tin plated
4. Color: Natural



RECOMMENDED PCB LAYOUT

(PCB T=1.0~1.6mm)
(PCB T=.039~.063in)



Mating Dimensions

Ordering Information and Dimensions:

Part No.	Circuits	Dim A	Part No.	Circuits	Dim A	Part No.	Circuits	Dim A
396802WV201	2	3.96(.156)	396810WV201	10	35.64(1.403)	396818WV201	18	67.32(2.650)
396803WV201	3	7.92(.312)	396811WV201	11	39.60(1.559)	396819WV201	19	71.28(2.806)
396804WV201	4	11.88(.468)	396812WV201	12	43.56(1.715)	396820WV201	20	75.24(2.962)
396805WV201	5	15.84(.624)	396813WV201	13	47.52(1.871)	396821WV201	21	79.20(3.118)
396806WV201	6	19.80(.780)	396814WV201	14	51.48(2.027)	396822WV201	22	83.16(3.274)
396807WV201	7	23.76(.935)	396815WV201	15	55.44(2.183)	396823WV201	23	87.12(3.430)
396808WV201	8	27.72(1.091)	396816WV201	16	59.40(2.339)	396824WV201	24	91.08(3.586)
396809WV201	9	31.68(1.247)	396817WV201	17	63.36(2.494)			

Part Code Information:

3968-WW XX YYY

① ② ③ ④

① Series Name

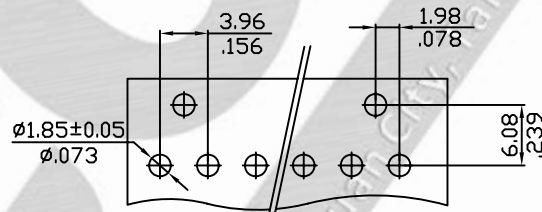
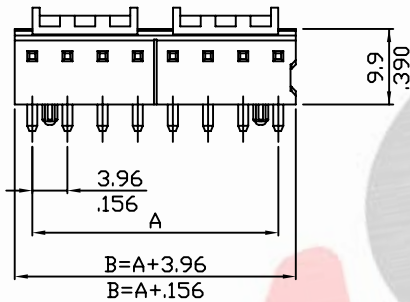
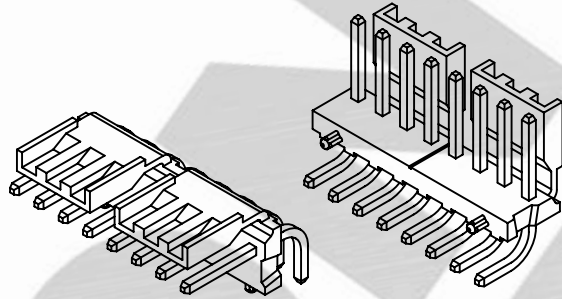
② Circuits Number
02~24

③ Product Type
WV=Wafer (Vertical type)

④ Material/Finishing/Color
201=PBT UL94V0,Natural Color

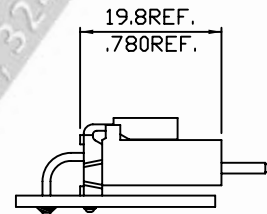
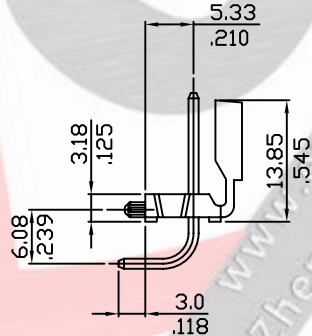
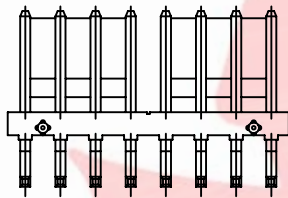
Wafer (Right angle type)

1. Part No.: 3968xxWR201
2. Part Name: 3968 Wafer
3. Material: P.B.T UL94V0
Pin: Brass bronze, Tin plated
4. Color: Natural



RECOMMENDED PCB LAYOUT

(PCB T=1.0~1.6mm)
(PCB T=.039~.063in)



Mating Dimensions

Ordering Information and Dimensions:

Part No.	Circuits	Dim A	Part No.	Circuits	Dim A	Part No.	Circuits	Dim A
396802WR201	2	3.96(.156)	396810WR201	10	35.64(1.403)	396818WR201	18	67.32(2.650)
396803WR201	3	7.92(.312)	396811WR201	11	39.60(1.559)	396819WR201	19	71.28(2.806)
396804WR201	4	11.88(.468)	396812WR201	12	43.56(1.715)	396820WR201	20	75.24(2.962)
396805WR201	5	15.84(.624)	396813WR201	13	47.52(1.871)	396821WR201	21	79.20(3.118)
396806WR201	6	19.80(.780)	396814WR201	14	51.48(2.027)	396822WR201	22	83.16(3.274)
396807WR201	7	23.76(.935)	396815WR201	15	55.44(2.183)	396823WR201	23	87.12(3.430)
396808WR201	8	27.72(1.091)	396816WR201	16	59.40(2.339)	396824WR201	24	91.08(3.586)
396809WR201	9	31.68(1.247)	396817WR201	17	63.36(2.494)			

Part Code Information:

3968-WW XX YYY

① ② ③ ④

① Series Name

② Circuits Number
02~24

③ Product Type
WR=Wafer (Right angle type)

④ Material/Finishing/Color
201=PBT UL94V0,Natural Color