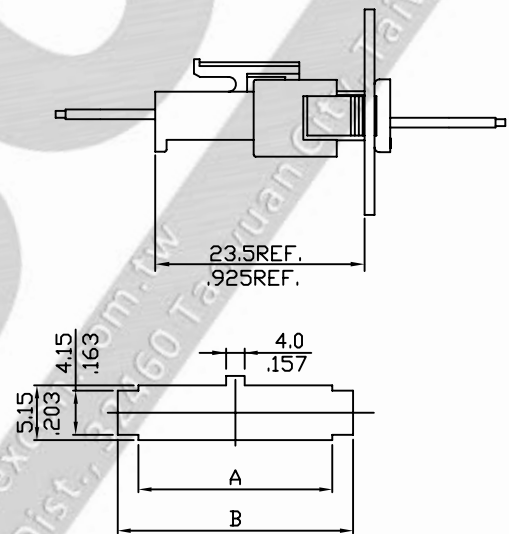
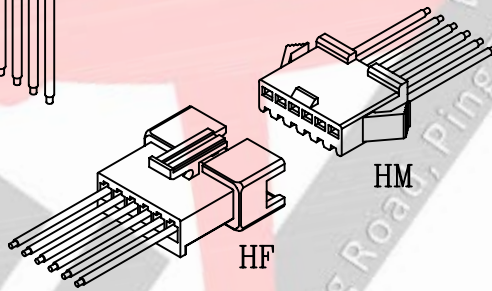
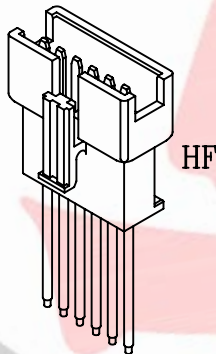
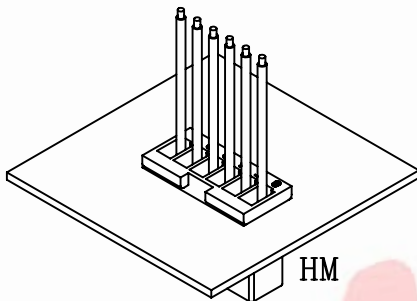


■ Specifications

1. Current rating: 3A AC/DC
2. Voltage rating: 250V AC/DC
3. Withstand voltage: 1500V AC/minute
4. Insulation resistance: 500M Ω min
5. Contact resistance: 10m Ω max
6. Temperature range: -25°C to +105°C
7. Applicable panel thickness: 0.5~2.0mm (.020"~.079")
8. Applicable wires: AWG#28-#22
Insulation O.D.: 1.2-1.8mm
9. Circuits: 2~12 circuits available



Panel Hole Layout

Layout Dimensions:

Circuits	Dim A	Dim B	Circuits	Dim A	Dim B
2	5.7(.224)	9.6(.378)	8	20.7(.815)	24.6(.969)
3	8.2(.323)	12.1(.476)	9	23.2(.913)	27.1(1.067)
4	10.7(.421)	14.6(.575)	10	25.7(1.012)	29.6(1.165)
5	13.2(.520)	17.1(.673)	11	28.2(1.110)	32.1(1.264)
6	15.7(.618)	19.6(.772)	12	30.7(1.209)	34.6(1.362)
7	18.2(.717)	22.1(.870)			

Part Code Information:

2507,2508-WW XX YYY

① ② ③ ④

① Series Name

② Circuits Number
02~12

00 For Terminal

③ Product Type

HM=Housing Male

HF=Housing Female

TA=Terminal,male type

TB=Terminal,female type

④ Material/Finishing/Color

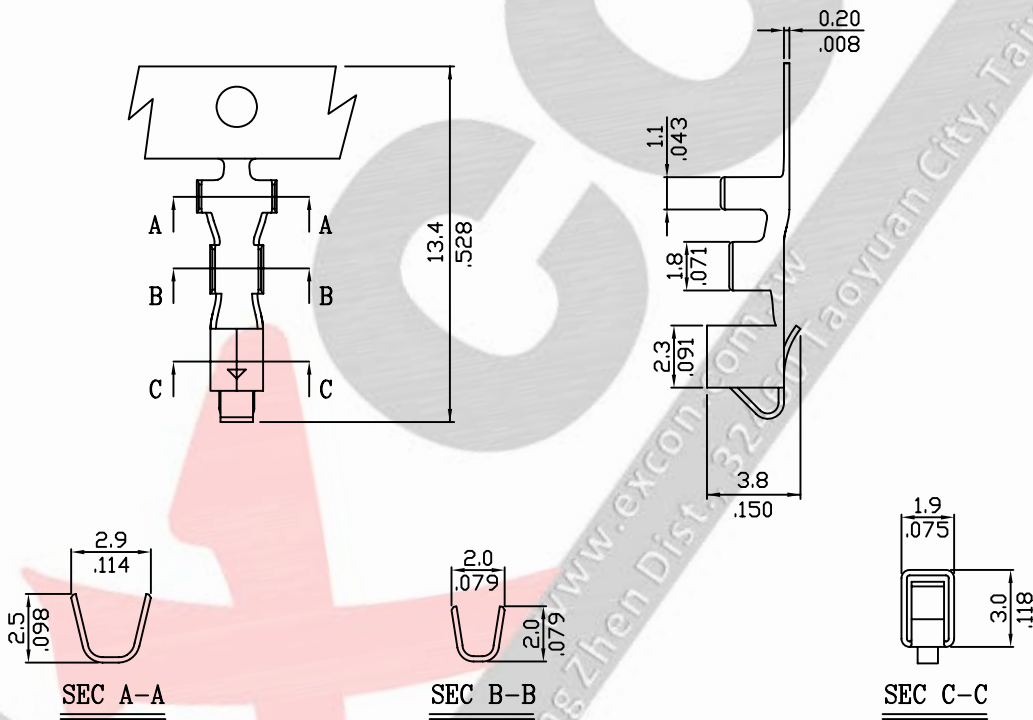
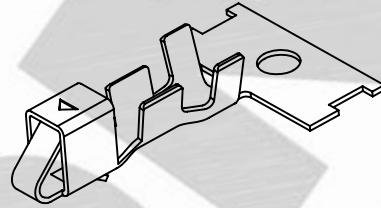
051=Brass,Tin Pre-Plated

351=Phosphor,Tin Pre-Plated

003=NY 66 94V0,Black Color

Crimp Terminal

1. Part No.: 250700TB051 ,250700TB351
2. Part Name: 2507 Terminal
3. Material: Brass Phosphor
4. Finishing: Tin pre-plated



Ordering Information and Dimensions:

Part No.	Wire Range	Insulation O.D.	Material	Finishing	Q'ty/reel
250700TB051	AWG#28~#22	1.2-1.8mm	Brass	Tin pre-plated	7,000pcs
250700TB351	AWG#28~#22	1.2-1.8mm	Phosphor	Tin pre-plated	7,000pcs

Part Code Information:

2507-WW XX YYY

① ② ③ ④

① Series Name

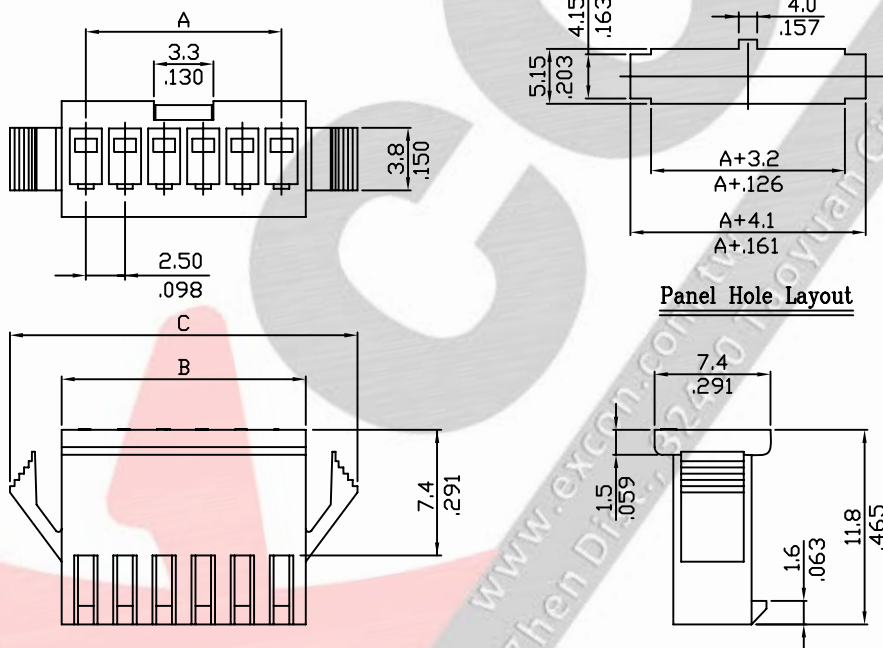
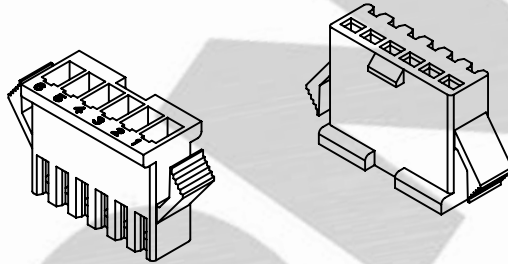
② Circuits Number
00 For Terminal

③ Product Type
TB=Terminal,female type

④ Material/Finishing/Color
051=Brass,Tin Pre-Plated
351=Phosphor,Tin Pre-Plated

Housing

1. Part No.: 2507xxHM003
2. Part Name: 2507 Housing Male
3. Material: Nylon 66 UL 94V0
4. Color: Black



Ordering Information and Dimensions:

Part No.	Circuits	Dim A	Dim B	Dim C	Part No.	Circuits	Dim A	Dim B	Dim C
250702HM003	2	2.5(.098)	5.5(.217)	11.5(.453)	250708HM003	8	17.5(.689)	20.5(.807)	26.5(1.043)
250703HM003	3	5.0(.197)	8.0(.315)	14.0(.551)	250709HM003	9	20.0(.787)	23.0(.906)	29.0(1.142)
250704HM003	4	7.5(.295)	10.5(.413)	16.5(.650)	250710HM003	10	22.5(.886)	25.5(1.004)	31.5(1.240)
250705HM003	5	10.0(.394)	13.0(.512)	19.0(.748)	250711HM003	11	25.0(.984)	28.0(1.102)	34.0(1.339)
250706HM003	6	12.5(.492)	15.5(.610)	21.5(.846)	250712HM003	12	27.5(1.083)	30.5(1.201)	36.5(1.437)
250707HM003	7	15.0(.591)	18.0(.709)	24.0(.945)					

Part Code Information:

2507-WW XX YY

① ② ③ ④

① Series Name

② Circuits Number
02~12

③ Product Type

HM=Housing Male

④ Material/Finishing/Color

003=NY 66 94V0,Black Color