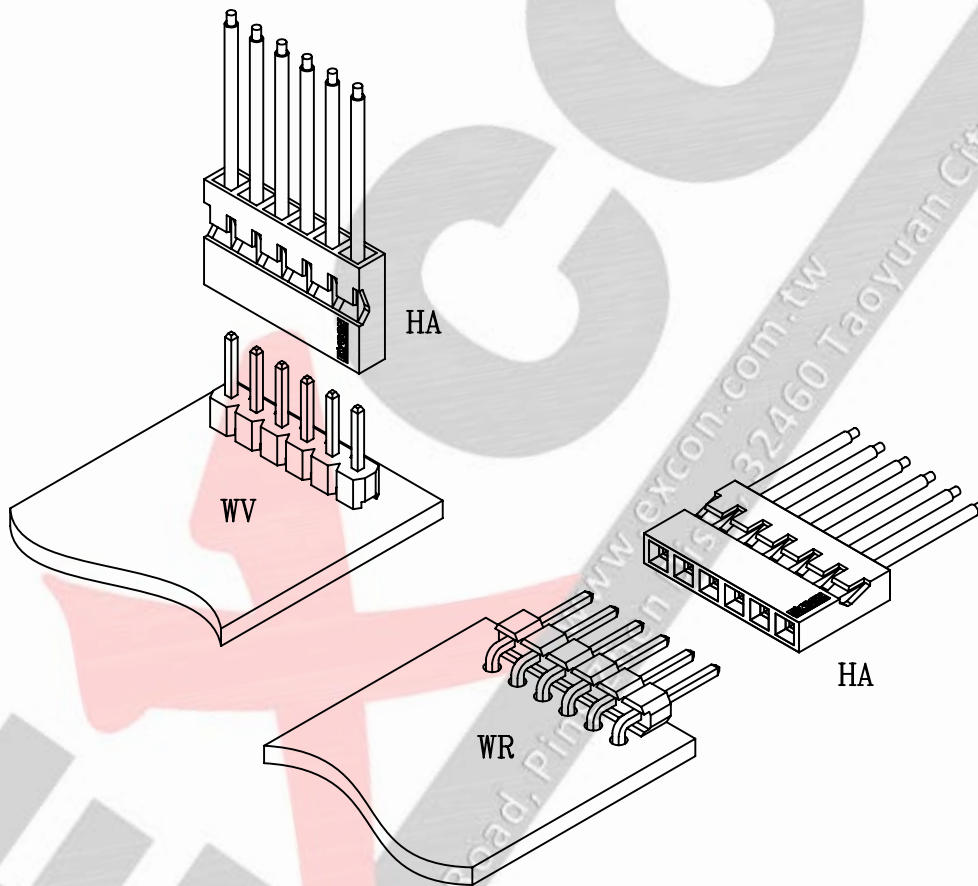


■ Specifications

1. Current rating: 2.5A AC/DC
2. Voltage rating: 200V AC/DC
3. Withstand voltage: 1000V AC/minute
4. Insulation resistance: 1000M Ω min
5. Contact resistance: 20m Ω max
6. Temperature range: -25°C to +105°C
7. Applicable PC board thickness: 1.0~1.6mm(.039" to .063")
8. Applicable wires: AWG#30-#26
Insulation O.D.: 0.9-1.3mm
9. Circuits: 1~40 circuits available



Part Code Information:

2004-WW XX YYY

① ② ③ ④

① Series Name

② Circuits Number

01~40

00 For Terminal

③ Product Type

HA=Housing

WV=Wafer (Vertical type)

WR=Wafer (Right angle type)

TC=Terminal

HK= Key

④ Material/Finishing/Color

501=Phosphor, Gold flash

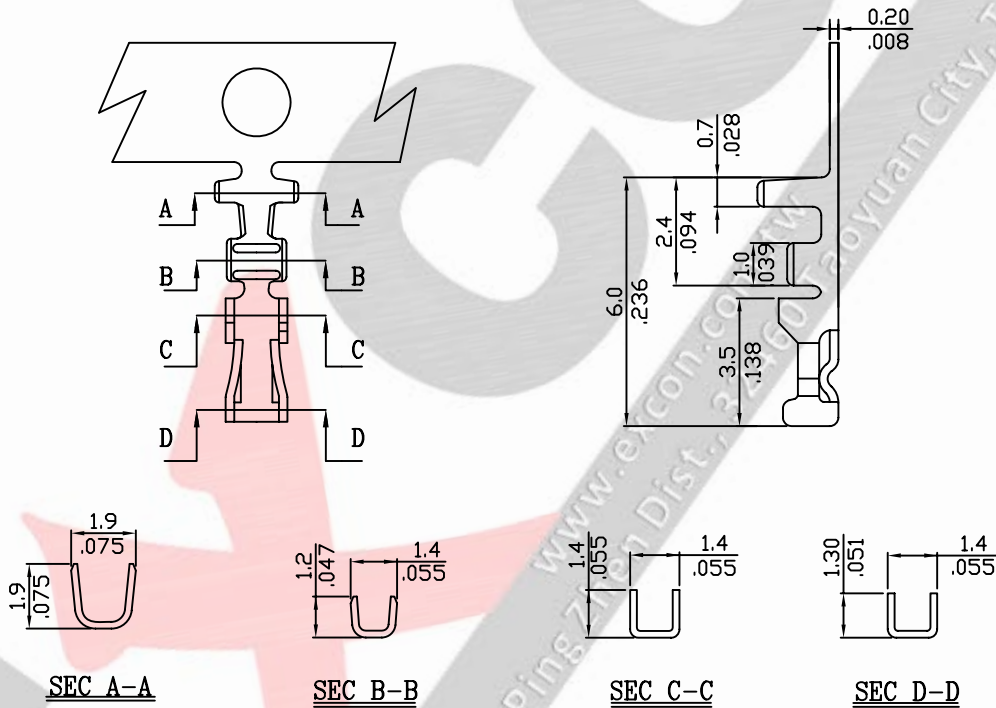
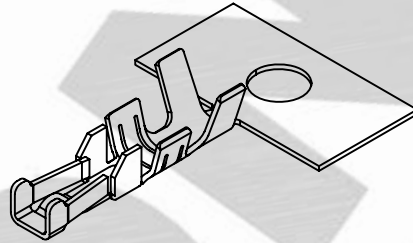
003=Nylon 66 UL 94V0, Black

203=PBT.UL 94V0, Color Black

201=PBT.UL 94V0, Color White

Crimp Terminal

1. Part No.: 200400TC501
2. Part Name: 2004 Terminal
3. Material: phosphor bronze
4. Plated: Gold flash



Ordering Information and Dimensions:

Part No.	Wire Range	Insulation O.D.	Material	Finishing	Q'ty/reel
200400TC501	AWG#30~#26	0.9-1.3mm	Phosphor	Gold flash	20,000pcs

Part Code Information:

2004-WW XX YY

① ② ③ ④

① Series Name

② Circuits Number

00 For Terminal

③ Product Type

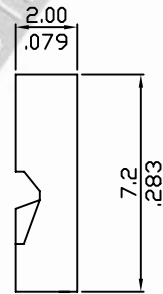
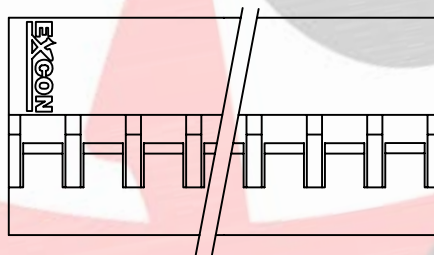
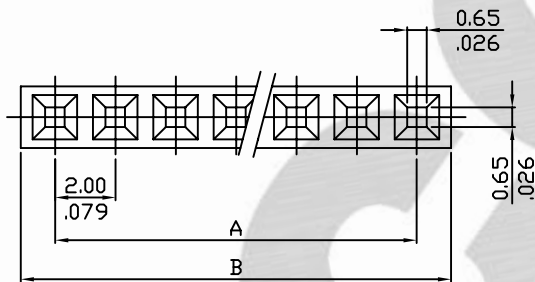
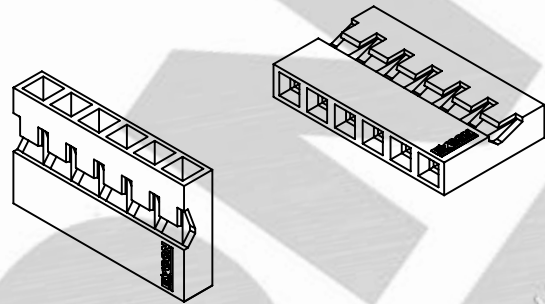
TC=Terminal

④ Material/Finishing/Color

501=Phosphor,Gold flash

Housing (Single Row)

1. Part No.: 2004xxHA003
2. Part Name: 2004 Housing
3. Material: Nylon 66 UL 94 V0
4. Color: Black



Ordering Information and Dimensions:

Part No.	Circuits	Dim A	Dim B	Part No.	Circuits	Dim A	Dim B
200401HA003	1	-- --	2.26(.089)	200411HA003	11	20.0(.787)	22.26(.876)
200402HA003	2	2.0(.079)	4.26(.168)	200412HA003	12	22.0(.866)	24.26(.955)
200403HA003	3	4.0(.157)	6.26(.246)	200413HA003	13	24.0(.945)	26.26(1.034)
200404HA003	4	6.0(.236)	8.26(.325)	200414HA003	14	26.0(1.024)	28.26(1.113)
200405HA003	5	8.0(.315)	10.26(.404)	200415HA003	15	28.0(1.102)	30.26(1.191)
200406HA003	6	10.0(.394)	12.26(.483)	200416HA003	16	30.0(1.181)	32.26(1.270)
200407HA003	7	12.0(.472)	14.26(.561)	200417HA003	17	32.0(1.260)	34.26(1.349)
200408HA003	8	14.0(.551)	16.26(.640)	200418HA003	18	34.0(1.339)	36.26(1.428)
200409HA003	9	16.0(.630)	18.26(.719)	200419HA003	19	36.0(1.417)	38.26(1.506)
200410HA003	10	18.0(.709)	20.26(.798)	200420HA003	20	38.0(1.496)	40.26(1.585)

Part Code Information:

2004-WW XX YYY

① ② ③ ④

① Series Name

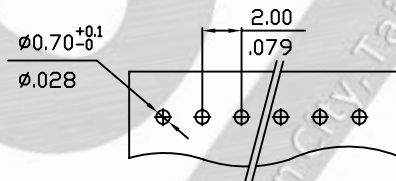
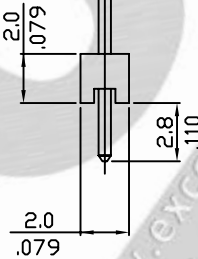
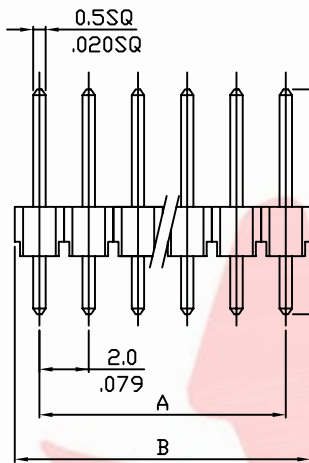
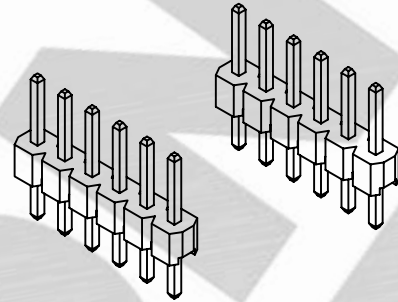
② Circuits Number
01~20

③ Product Type
HA=Housing

④ Material/Finishing/Color
003=Nylon 66 UL 94 V0,Color black

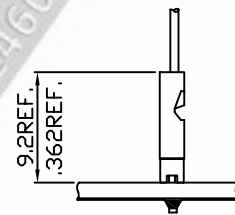
Wafer (Vertical type single row)

1. Part No.: 2004xxWV203
2. Part Name: 2004 Wafer
3. Material: PBT.UL 94V0
Pin: Brass bronze, Gold plated and Tin
5. Color: Black



RECOMMENDED PCB LAYOUT

(PCB T=1.0~1.6mm)
(PCB T=.039~.063in)



Mating Dimensions

Ordering Information and Dimensions:

Part No.	Circuits	Dim A	Dim B	Part No.	Circuits	Dim A	Dim B	Part No.	Circuits	Dim A	Dim B	Part No.	Circuits	Dim A	Dim B
200401WV203	1	---	2.00(.079)	200411WV203	11	20.0(.787)	22.00(.866)	200421WV203	21	40.0(1.575)	42.0(1.654)	200431WV203	31	60.0(2.362)	62.0(2.441)
200402WV203	2	2.0(.079)	4.00(.157)	200412WV203	12	22.0(.866)	24.00(.945)	200422WV203	22	42.0(1.654)	44.0(1.732)	200432WV203	32	62.0(2.441)	64.0(2.520)
200403WV203	3	4.0(.157)	6.00(.236)	200413WV203	13	24.0(.945)	26.00(1.024)	200423WV203	23	44.0(1.732)	46.0(1.811)	200433WV203	33	64.0(2.520)	66.0(2.598)
200404WV203	4	6.0(.236)	8.00(.315)	200414WV203	14	26.0(1.024)	28.00(1.102)	200424WV203	24	46.0(1.811)	48.0(1.890)	200434WV203	34	66.0(2.598)	68.0(2.677)
200405WV203	5	8.0(.315)	10.00(.394)	200415WV203	15	28.0(1.102)	30.00(1.181)	200425WV203	25	48.0(1.890)	50.0(1.969)	200435WV203	35	68.0(2.677)	70.0(2.756)
200406WV203	6	10.0(.394)	12.00(.472)	200416WV203	16	30.0(1.181)	32.00(1.260)	200426WV203	26	50.0(1.969)	52.0(2.047)	200436WV203	36	70.0(2.756)	72.0(2.835)
200407WV203	7	12.0(.472)	14.00(.551)	200417WV203	17	32.0(1.260)	34.00(1.339)	200427WV203	27	52.0(2.047)	54.0(2.126)	200437WV203	37	72.0(2.835)	74.0(2.913)
200408WV203	8	14.0(.551)	16.00(.630)	200418WV203	18	34.0(1.339)	36.00(1.417)	200428WV203	28	54.0(2.126)	56.0(2.205)	200438WV203	38	74.0(2.913)	76.0(2.992)
200409WV203	9	16.0(.630)	18.00(.709)	200419WV203	19	36.0(1.417)	38.00(1.496)	200429WV203	29	56.0(2.205)	58.0(2.283)	200439WV203	39	76.0(2.992)	78.0(3.071)
200410WV203	10	18.0(.709)	20.00(.787)	200420WV203	20	38.0(1.496)	40.00(1.575)	200430WV203	30	58.0(2.283)	60.0(2.362)	200440WV203	40	78.0(3.071)	80.0(3.150)

Part Code Information:

2004-WW XX YYY

① ② ③ ④

① Series Name

② Circuits Number
01~40

③ Product Type

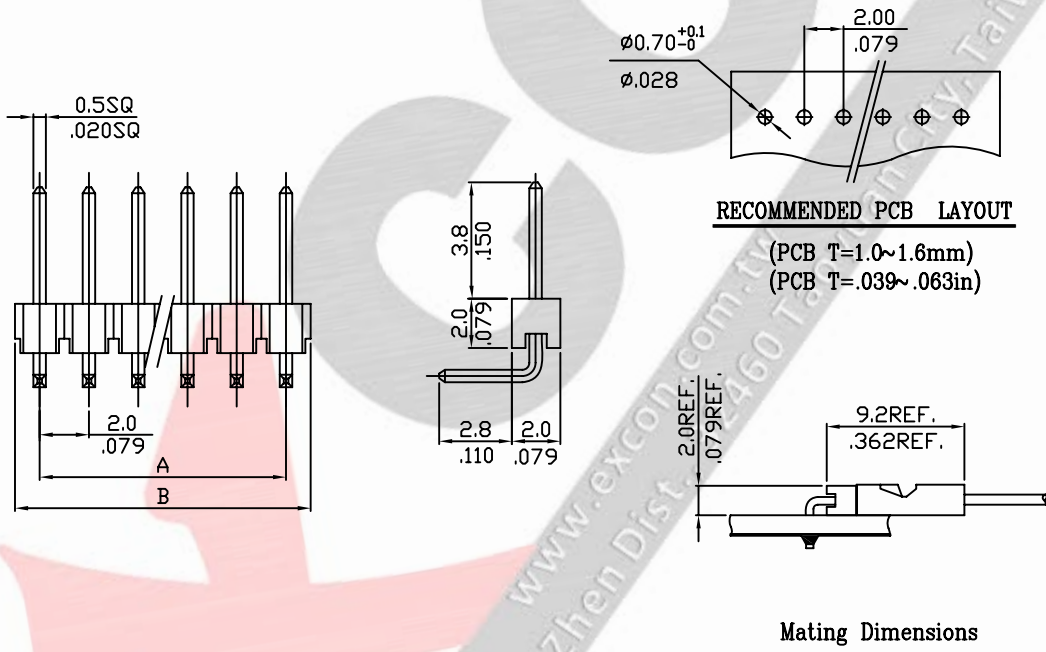
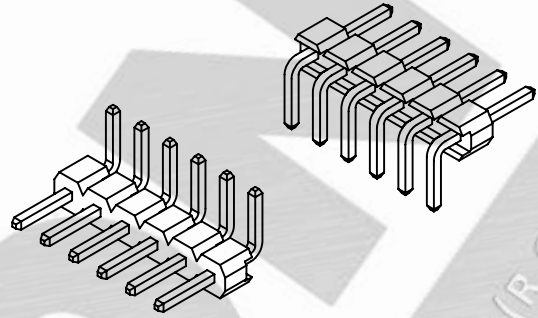
WV=Wafer (Vertical type)

④ Material/Finishing/Color

203=PBT.UL 94V0, Color Black

Wafer (Right angle type single row)

1. Part No.: 2004xxWR203
2. Part Name: 2004 Wafer
3. Material: PBT.UL 94V0
Pin: Brass bronze, Gold plated and Tin
5. Color: Black



Ordering Information and Dimensions:

Part No.	Circuits	Dim A	Dim B	Part No.	Circuits	Dim A	Dim B	Part No.	Circuits	Dim A	Dim B	Part No.	Circuits	Dim A	Dim B
200401WR203	1	---	2.00(.079)	200411WR203	11	20.0(.787)	22.00(.866)	200421WR203	21	40.0(1.575)	42.0(1.654)	200431WR203	31	60.0(2.362)	62.0(2.441)
200402WR203	2	2.0(.079)	4.00(.157)	200412WR203	12	22.0(.866)	24.00(.945)	200422WR203	22	42.0(1.654)	44.0(1.732)	200432WR203	32	62.0(2.441)	64.0(2.520)
200403WR203	3	4.0(.157)	6.00(.236)	200413WR203	13	24.0(.945)	26.00(1.024)	200423WR203	23	44.0(1.732)	46.0(1.811)	200433WR203	33	64.0(2.520)	66.0(2.598)
200404WR203	4	6.0(.236)	8.00(.315)	200414WR203	14	26.0(1.024)	28.00(1.102)	200424WR203	24	46.0(1.811)	48.0(1.890)	200434WR203	34	66.0(2.598)	68.0(2.677)
200405WR203	5	8.0(.315)	10.00(.394)	200415WR203	15	28.0(1.102)	30.00(1.181)	200425WR203	25	48.0(1.890)	50.0(1.969)	200435WR203	35	68.0(2.677)	70.0(2.756)
200406WR203	6	10.0(.394)	12.00(.472)	200416WR203	16	30.0(1.181)	32.00(1.260)	200426WR203	26	50.0(1.969)	52.0(2.047)	200436WR203	36	70.0(2.756)	72.0(2.835)
200407WR203	7	12.0(.472)	14.00(.551)	200417WR203	17	32.0(1.260)	34.00(1.339)	200427WR203	27	52.0(2.047)	54.0(2.126)	200437WR203	37	72.0(2.835)	74.0(2.913)
200408WR203	8	14.0(.551)	16.00(.630)	200418WR203	18	34.0(1.339)	36.00(1.417)	200428WR203	28	54.0(2.126)	56.0(2.205)	200438WR203	38	74.0(2.913)	76.0(2.992)
200409WR203	9	16.0(.630)	18.00(.709)	200419WR203	19	36.0(1.417)	38.00(1.496)	200429WR203	29	56.0(2.205)	58.0(2.283)	200439WR203	39	76.0(2.992)	78.0(3.071)
200410WR203	10	18.0(.709)	20.00(.787)	200420WR203	20	38.0(1.496)	40.00(1.575)	200430WR203	30	58.0(2.283)	60.0(2.362)	200440WR203	40	78.0(3.071)	80.0(3.150)

Part Code Information:

2004-WW XX YYY

① ② ③ ④

① Series Name

② Circuits Number
01~40

③ Product Type

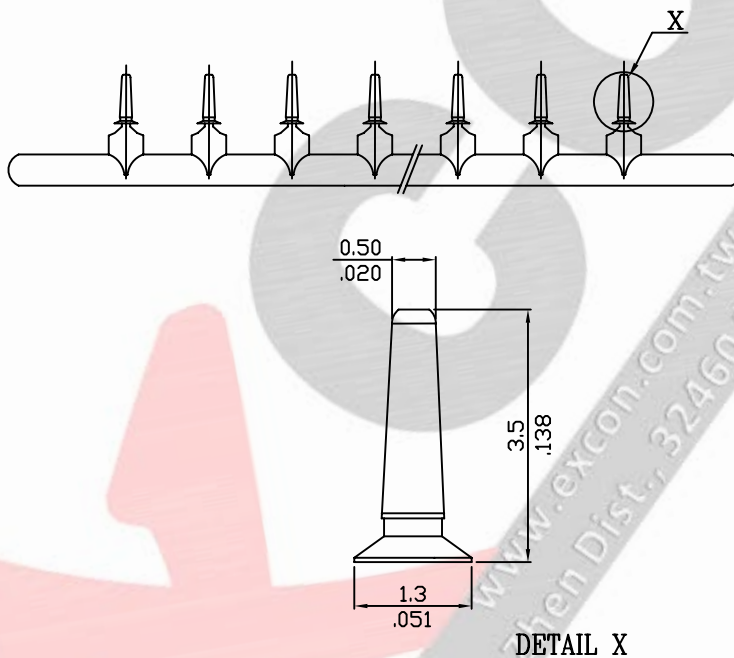
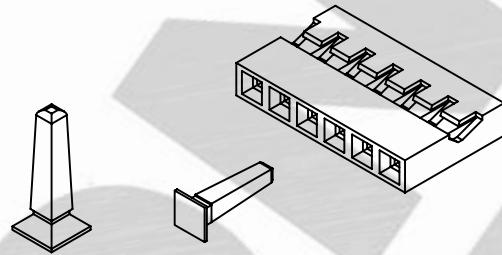
WR=Wafer (Right angle type)

④ Material/Finishing/Color

203=PBT.UL 94V0, Color Black

Key

1. Part No.: 200400HK201,200400HK203
2. Part Name: 2004 Key
3. Material: PBT UL94 V0
4. Color: Black , white



Ordering Information and Dimensions:

Part No.	Color
200400HK201	White
200400HK203	Black

Part Code Information:

2004-WW XX YYY

① ② ③ ④

① Series Name

② Circuits Number
00

③ Product Type
HK= Key

④ Material/Finishing/Color
203=PBT.UL 94V0, Color Black
201=PBT.UL 94V0, Color White